
1. CONDITIONS FOR USE

This micro abrasive blaster may only be operated:

- Indoors;
- Below 6500 ft above sea level altitude;
- Ambient air temperature between 40°-105°F (5-40°C);
- Maximum relative humidity of 80% at 88°F;
- Power supply current fluctuations does not exceed 10% of nominal value;
- Under level 2 contamination conditions;
- Supply cool, dry air only, at a maximum pressure of 150 PSI.

2. SAFETY

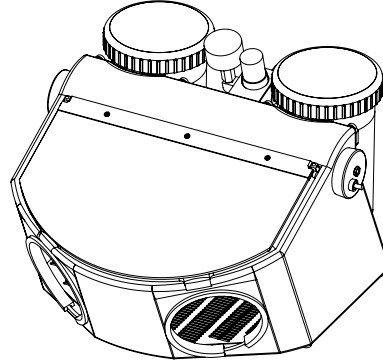
- Always disconnect the unit from the compressed air and power sources before beginning any maintenance.
- When working with the tank wear protective glasses to protect your eyes.
- Any abrasive material on the o-ring may lead to leakage and early wear of the o-ring. After filling, clean the thread and o-ring before applying the lid.
- Solvents will create cracks in the jar and weaken the jar (danger of explosion!). Clean the lid and tank only with a dry cloth. Do not write or adhere anything to the jar or lid.
- Check for damages on the lids and tanks regularly and replace them if there is any doubt of the structural integrity.
- Before operation, check to make certain the lid is secured properly. Using the product without the lid secured will create a serious explosive hazard.
- Never operate the blasting units without suitable dust extraction and appropriate protective gear. The type of dust extraction should be based on the type dust generated. Ask the proper authorities.
- Never direct the blasting material towards eyes or unprotected areas of skin. Improper use can result in risk of eye or skin injuries.
- Never work with the glass door open.
- Caution: Failure to wear eye protection can result in eye injury. Wear proper eye protection to protect your vision.
- Do not depress the foot switch when only the compressed air supply hose is connected. The loose hose could wrap around itself and cause serious injury.
- Unplug the unit from the wall before changing out the LED light. Do not squeeze or bend the light tube. Always wear gloves or use a towel to protect your hands from glass splinters.
- Inspect power cords before beginning operation. The unit may not be used if the power cord is damaged.

2.1 Liability Exclusion - Vaniman Manufacturing shall be absolved from all claims for damages and warranty if:

- The product is used for any purpose other than it was designed for.
- The product is altered in any way other than those described in the operating instructions.
- The product is repaired by any body other than an authorized facility or if any parts other than Vaniman OEM parts are used.
- The product continues to be employed, despite obvious safety faults.

PACKING LIST

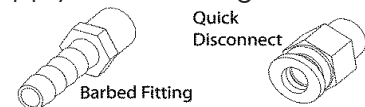
- 1 - SandStorm Edge
- 1 - Instructions
- 1 - DC Power Supply
- 1 - Additional Quick-Disconnect



INSTALLATION & OPERATION

1. Remove the unit and all packaging material from the box.
2. Plug the DC Power Supply into an electrical outlet, then into the right side of the light assembly.
3. Unscrew lids on abrasive storage tanks.
4. Fill abrasive storage tanks to fill line with the appropriate size media specified on tank label. Take care not to allow media to enter the manifold tube inside the tank. **DO NOT OVERFILL** as clogging may result.
5. Inspect lid for any cracks or areas that might create leaks. Wipe off or use compressed air to clean abrasive from jar and lid mating surfaces. Check to make sure the o-ring is in place in the lid and screw lid securely onto jar. Do not overtighten.
6. Attach your 1/4" ID (inside diameter) hose air supply line to the barbed fitting and secure with a hose clamp. If you prefer, remove the fitting and replace with the quick disconnect fitting supplied for 1/4" polyflow hoses. Secure hose with a small screw-type clamp. **NEVER** depressurize the system by disconnecting the air supply line while under pressure; abrasive will be forced into the foot valve and regulator, causing damage. Before disconnecting the air supply line, turn regulator down (counterclockwise) until the pressure gauge reads zero.

For more help visit: www.vaniman.com/air-supply-connections-blasters/



7. Inside the unit is the selector knob for using the left or right hand piece. Select either one, making sure this knob is dialed all the way to the left or right position. The center upright position will shut off air pressure to both tanks. This "off" position should be used when filling the abrasive storage tanks.
8. Turn on the light by turning the knob on the right side of the abrasive unit.
9. Securely attach the SandVac or StoneVac dust collection system to the rear of the unit.
10. Regulate air pressure by turning the air regulator knob. Pull knob up to unlock before turning. Pressure will indicate pressure reading. **DO NOT** adjust above 100 psi (7 BARS).
11. To begin blasting, use the foot pedal to start the flow of air and blasting media. Release the foot pedal to stop the flow. Note: After releasing the foot pedal, air and abrasive will continue to flow for a few seconds until the pressure in the tank has been depleted.

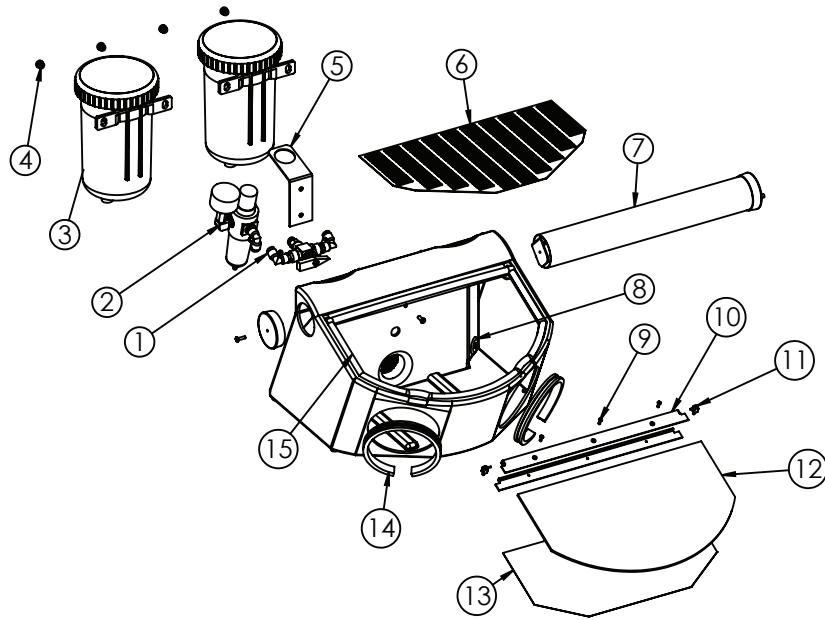


Fig. #	Reorder Part Number	Description
1	2046	Selector Valve
2	2047	Regulator
3	97956 97957 97958	Sand Jar Assembly 25µm Sand Jar Assembly 50-100µm Sand Jar Assembly 110-250µm
4	2266	Thumb Nut
5	2365	Regulator Bracket
6	2411	Floor Screen
7	97967	LED Light Assembly
8	2005	Handpiece Hose Grommet
9	2028	Screw, #4-40 x 5/16" FHMS
10	2413	Window Assembly (with window and bracket)
11	2290	Pin-Hinge Assembly
12	2369	Replacement Window
13	97950	Static Cling (12-pack)
14	2034	Cuff Holder
-	2033	Cuff (black cloth)
15	2030A	Window Gasket Kit

COMMON REPLACEMENT PARTS AND ACCESSORIES

Sand-Vac or StoneVac Dust Collector (VMC part #10211 or 10201)

“Contact Lens” View Port/Magnifier XL - cut to fit (VMC part #97941)

Part No.	Nozzle Size, Inches (mm)	Color	Recommended Media
<i>Long Lasting Crystal Tips (2 per package)</i>			
97902	Medium, .032" (.8mm)	Blue	25/50 µm Al ₂ O ₃
97903	Large, .048" (1.2mm)	Black	50/100 µm Al ₂ O ₃ , 50 µm Glass
97904	Extra Large, .065" (1.6mm)	Red	100-250 µm Al ₂ O ₃ , 50/100 µm Glass
<i>Precision Tungsten Carbide Tips (1 per package)</i>			
97905	Small, .026" (.65mm)	Yellow	25 µm Al ₂ O ₃
97906	Medium, .036"(.91mm)	Green	50/100 µm Al ₂ O ₃ , 50 µm Glass
97907	Large, .059" (1.5mm)	Violet	100-250 µm Al ₂ O ₃ , 50/100 µm Glass

Part No.	Material	Size	Applications
97921	Aluminum Oxide	25µm	Fine surfacing of metal, porcelain and acrylic.
97922	Aluminum Oxide	50µm	Removal of oxides. Preparation of porcelain faces before firing.
97923	Aluminum Oxide	100µm	Deflashing. Alloy preparation for porcelain work.
97924	Aluminum Oxide	250µm	Bulk removal of investment and tough oxide layers. Rough surface preparation.
97925	Glass Bead	50µm	Smoothing/polishing. Devesting porcelain. Finishing of occlusal surfaces/crown interiors.

TUBING & HANDPIECE MAINTENANCE INSTRUCTIONS

1. Empty abrasive from the tank before removing the tubing from the bottom fitting of the sand tank. See illustration 2 for instructions on quick fittings.
2. Remove the handpiece assembly from inside the cabinet by pulling the tubing through the rubber grommet.
3. Unscrew the nozzle cap ⑦ and remove the tip ⑥ and the sealing washer ⑤. Using a pair of pliers, grasp the handpiece insert ④ and with a twisting motion pull the tubing through the handle ③. Try not to damage the part with pliers. Pull the handpiece insert from the tubing by twisting and pulling.

NOTE: On some units, a steel barbed nozzle may be in the tubing - this should be removed from the tubing and discarded it can no longer be used with the new long lasting polyurethane tubing. It may be necessary to moisten the tubing and/or soak the tubing in warm water to ease onto the barb at the bottom of the sand tank.

4. Using the new piece of tubing, push the tubing through the handle-using a twisting motion. When the tubing is through the handle, pull in out several inches and press the handpiece insert ④ all the way onto the end of the tubing, until the tubing is flush with the front of the insert (see inset). It may be necessary to moisten the tubing to ease the installation of the handpiece insert.
5. Pull the tubing back into the handle until the collar on the handpiece insert is butted-up to the end of the handle. Pull the tubing through the rubber grommet and re-attach it to the jar assembly by pushing it into the quick-release fitting. Re-assemble the sealing washer, tip and nozzle cap to the handle.
6. Blow out tank bottom fitting and press tubing back into the tank. Visually make sure the tube travels past the black seal looking through the transparent raised area.

Illustration 1

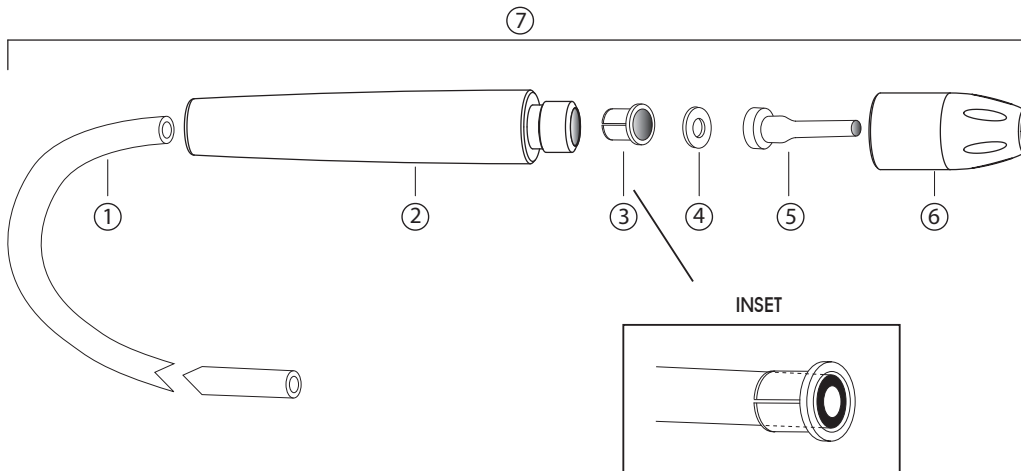


Fig.	Reorder #
1	2192
2	2191
3	2187
4	97909
5	varies, #4 Included
6	2177
7	97947, #4 & #5 Not Included

Illustration 2

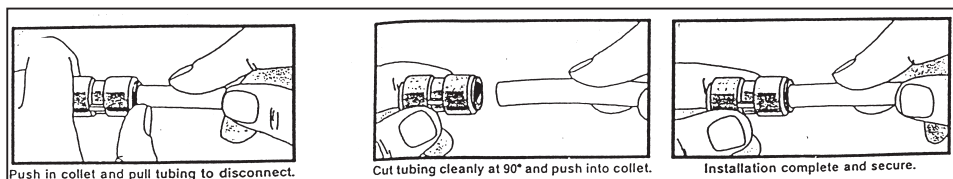


FIG A

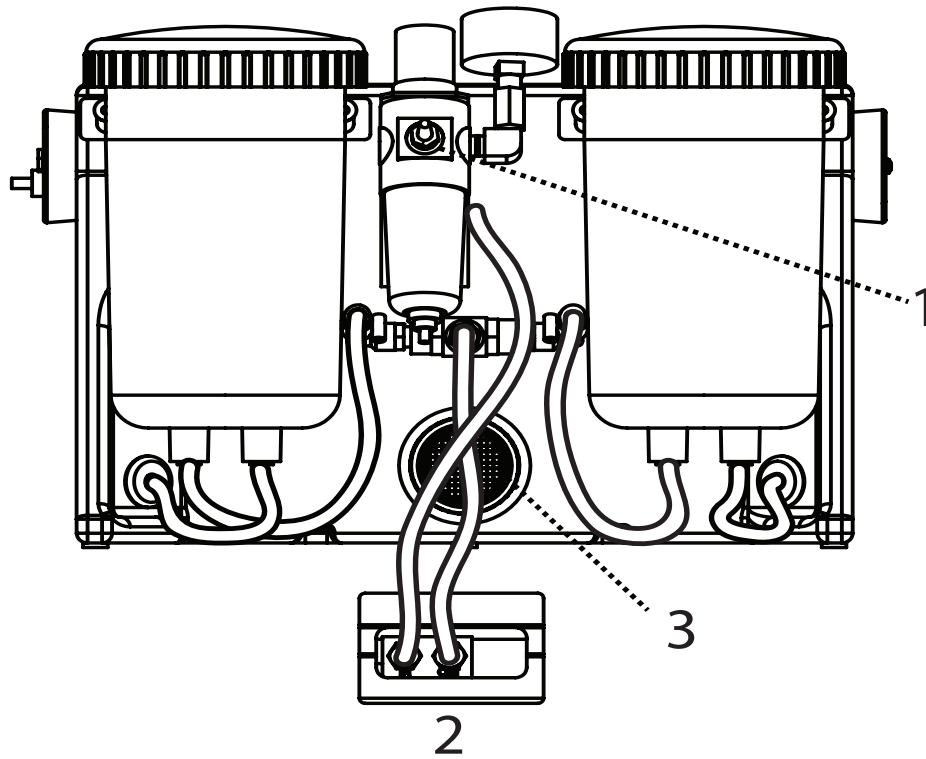


Fig. #	Description
1	Air In
2	Foot Pedal
3	Collection port