
1. CONDITIONS FOR USE

This micro abrasive blaster may only be operated:

- Indoors;
- Below 6500 ft above sea level altitude;
- Ambient air temperature between 40°-105°F (5-40°C);
- Maximum relative humidity of 80% at 88°F;
- Power supply current fluctuations does not exceed 10% of nominal value;
- Under level 2 contamination conditions;
- Supply cool, dry air only, at a maximum pressure of 150 PSI.

2. SAFETY

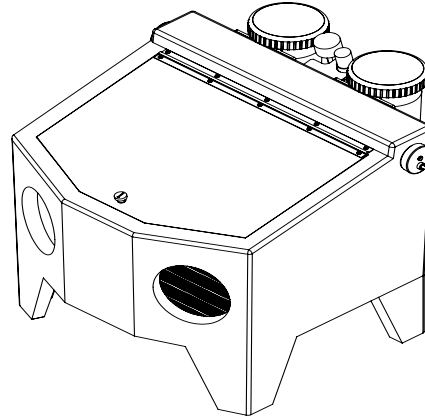
- Always disconnect the unit from the compressed air and power sources before beginning any maintenance.
- When working with the tank wear protective glasses to protect your eyes.
- Any abrasive material on the o-ring may lead to leakage and early wear of the o-ring. After filling, clean the thread and o-ring before applying the lid.
- Solvents will create cracks in the jar and weaken the jar (danger of explosion!). Clean the lid and tank only with a dry cloth. Do not write or adhere anything to the jar or lid.
- Check for damages on the lids and tanks regularly and replace them if there is any doubt of the structural integrity.
- Before operation, check to make certain the lid is secured properly. Using the product without the lid secured will create a serious explosive hazard.
- Never operate the blasting units without suitable dust extraction and appropriate protective gear. The type of dust extraction should be based on the type dust generated. Ask the proper authorities.
- Never direct the blasting material towards eyes or unprotected areas of skin. Improper use can result in risk of eye or skin injuries.
- Never work with the glass door open.
- Caution: Failure to wear eye protection can result in eye injury. Wear proper eye protection to protect your vision.
- Do not depress the foot switch when only the compressed air supply hose is connected. The loose hose could wrap around itself and cause serious injury.
- Unplug the unit from the wall before changing out the LED light. Do not squeeze or bend the light tube. Always wear gloves or use a towel to protect your hands from glass splinters.
- Inspect power cords before beginning operation. The unit may not be used if the power cord is damaged.

2.1 Liability Exclusion - Vaniman Manufacturing shall be absolved from all claims for damages and warranty if:

- The product is used for any purpose other than it was designed for.
- The product is altered in any way other than those described in the operating instructions.
- The product is repaired by any body other than an authorized facility or if any parts other than Vaniman OEM parts are used.
- The product continues to be employed, despite obvious safety faults.

PACKING LIST

- 1 - SandStorm XL
- 1 - Instructions
- 1 - DC Power Supply



INSTALLATION & OPERATION

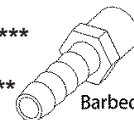
1. Remove all packing material.
2. Plug DC Power Supply into electrical outlet then the jack into the right side of the light tube.
3. Unscrew lids on abrasive storage tanks.
4. Fill media storage tanks to fill line with blasting media in the micron size specified on tank label. **DO NOT OVERFILL** - clogging may result.
5. Inspect lid for any cracks or areas that might create leaks. Wipe off excess abrasive and screw lid securely back into place. Do not overtighten.

Part No.	Nozzle Size, Inches (mm)	Color	Recommended Media
Long Lasting Crystal Tips (2 per package)			
97902	Medium, .032" (.8mm)	Blue	25/50 μm Al_2O_3
97903	Large, .048" (1.2mm)	Black	50/100 μm Al_2O_3 , 50 μm Glass
97904	Extra Large, .065" (1.6mm)	Red	100-250 μm Al_2O_3 , 50/100 μm Glass
Precision Tungsten Carbide Tips (1 per package)			
97905	Small, .026" (.65mm)	Yellow	25 μm Al_2O_3
97906	Medium, .036" (.91mm)	Green	50/100 μm Al_2O_3 , 50 μm Glass
97907	Large, .059" (1.5mm)	Violet	100-250 μm Al_2O_3 , 50/100 μm Glass

6. Attach your 1/4" ID (inside diameter) hose air supply line to the barbed fitting and secure with a hose clamp. If you prefer, remove the fitting and replace the quick disconnect fitting supplied for 1/4" polyflow hoses. Secure hose with a small screw-type clamp. NEVER depressurize the system by disconnecting the air supply line while under pressure; abrasive will be forced into the foot valve and regulator, causing damage. Before disconnecting the air supply line, turn regulator down (counterclockwise) until the pressure gauge reads zero.

Be sure to use CLEAN DRY AIR for blasting to ensure proper operation.

For more help visit: www.vaniman.com/air-supply-connections-blasters/



Barbed Fitting



Quick Disconnect

7. Inside the unit is the “TANK” selector knob for use of the left or right spray jet handle. Single tank units can be upgraded to two tanks. Select either handle by making sure this knob is dialed all the way to the left or right position. The center upright position will shut off air pressure to both tanks. This “Off” position should be used when filling the abrasive storage tanks.

NOTE: When the “TANK” selector knob is turned to employ one handpiece the unselected handpiece will expel air and blasting media for up to a minute while the residual pressure escapes.

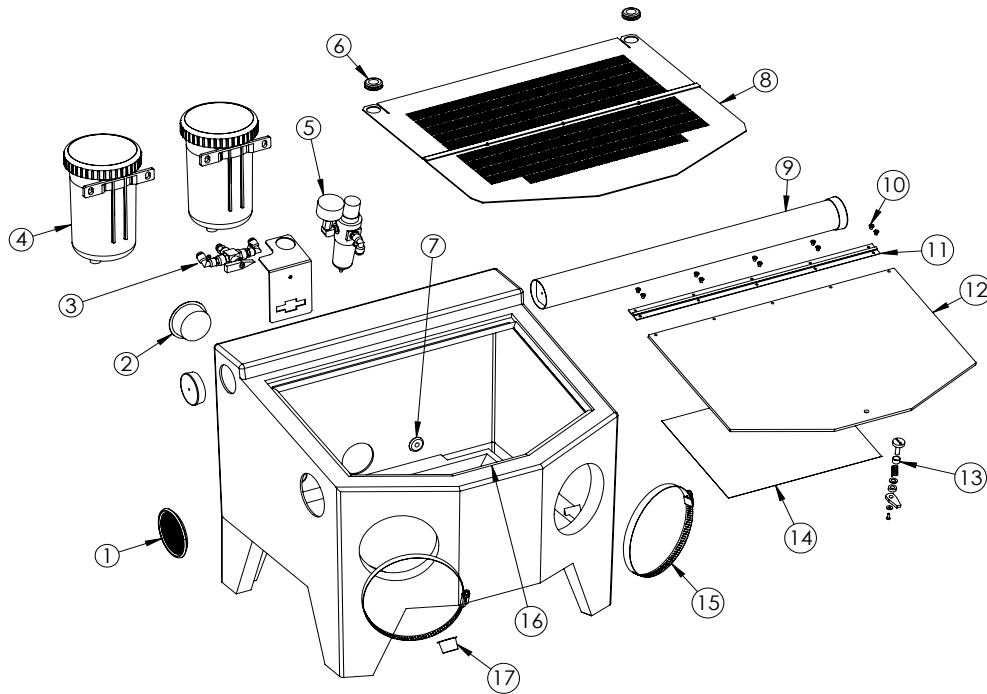
- 9. Turn on the light by turning the knob on the right side of the unit.
- 10. Make sure the viewing window is securely locked with the arrow pointing down prior to use of the unit.
- 11. Securely attach the optional SandVac dust collection system to the hole in the back of the cabinet. A dust collector is strongly recommended to contain the dust inside the cabinet.
- 12. Regulate air pressure by turning the air regulator knob. Unlock by pulling up the knob then turn. Pressure reading will indicate pressure. DO NOT adjust above 100 psi (7 BARS).
- 13. Use the foot pedal to start the flow of air and blasting media to begin blasting. Release the foot pedal to stop the flow.

REPLACEMENT PARTS AND ACCESSORIES

SandVac Dust Collector **P/N 10211**

Blasting Media

Part No.	Material	Size	Applications
97921	Aluminum Oxide	25µm	Fine surfacing of metal or hard materials.
97922	Aluminum Oxide	50µm	Deburring and deflashing of metals and other hard materials.
97923	Aluminum Oxide	100µm	Aggressive removal of materials, semi-rough finished surface.
97924	Aluminum Oxide	250µm	Bulk removal or surface cleaning of tough materials. Rough surface preparation.
97925	Glass Bead	50µm	Smoothing/polishing. Cleans and polishes without removing material.



<i>Fig. #</i>	<i>Description</i>	<i>Reorder Part Number</i>
1	Vent	2613
2	Blue Cap	1751
3	Selector Valve	2046
4	Sand Jar Assembly 25 micron Sand Jar Assembly 50-100 micron Sand Jar Assembly 110-250 micron	97956 97957 97958
5	Regulator	2047
6	Floor Screen Grommet	2049
7	Cabinet Grommet	2005
8	Floor Screen	2604
9	LED Light Assembly	97969
10	Screw, #8 x 1/4" FHSMS	2609
11	Window Assembly (with window, latch, and hinge)	2620
12	Window Only	2606A
13	Latch and Spacer	2025 & 2026
14	Static Cling Protector Shield	97951
15	Clamp	1413
Not Shown	XL Cuff (black cloth)	2033XL
Not Shown	Optional Gloves	2605
16	Window Gasket Kit	2030B
17	Red Cap	2608

TUBING & HANDPIECE MAINTENANCE INSTRUCTIONS

1. Remove the tubing from the bottom fitting of the sand tank. See Illustration 2 for instructions on quick fittings.
2. Remove the handpiece assembly from inside the cabinet by pulling the tubing through the rubber grommet.
3. Use Illustration 1 to unscrew the nozzle cap (7) and remove the tip (6) and the sealing washer (5). Using a pair of pliers, grasp the handpiece insert (4) and with a twisting motion pull the tubing through the handle (3). Pull the handpiece insert from the tubing by twisting and pulling.

NOTE: On some units, a steel barbed nozzle may be in the tubing - this should be removed from the tubing and discarded it can no longer be used with the new long lasting polyurethane tubing. It may be necessary to moisten the tubing and/or soak the tubing in warm water to ease onto the barb at the bottom of the sand tank.

4. Using the new piece of tubing, push the tubing through the handle-using a twisting motion. When the tubing is through the handle, pull in out several inches and press the handpiece insert all the way onto the end of the tubing, until the tubing is flush with the front of the insert (see inset). It may be necessary to moisten the tubing to ease the installation of the handpiece insert.
5. Pull the tubing back into the handle until the collar on the handpiece insert is butted-up to the end of the handle. Pull the tubing through the rubber grommet and re-attach it to the jar assembly by pushing it into the quick-release fitting. Re-assemble the sealing washer, tip and nozzle cap to the handle.

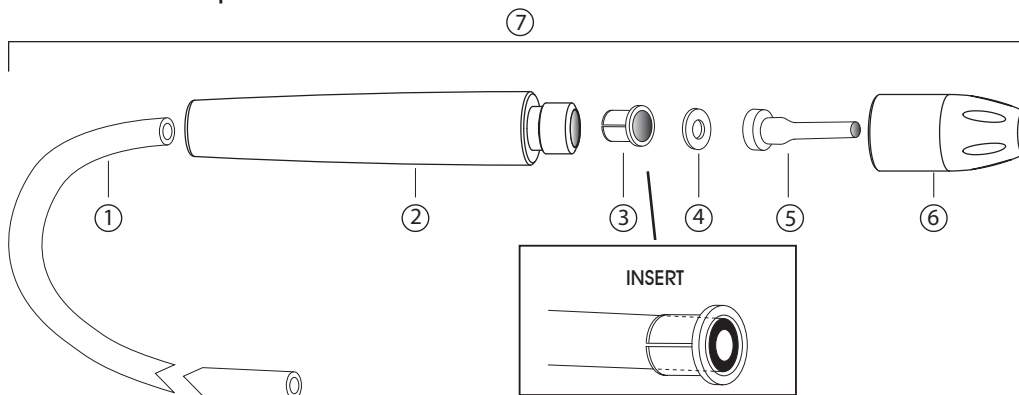
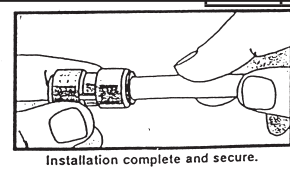
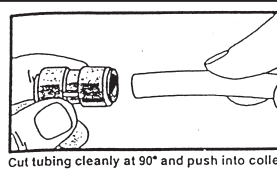
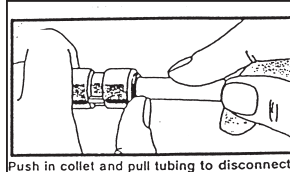


Illustration 2

Fig.	Reorder #
1	2192
2	2191
3	2187
4	97909
5	varies, #4 Included
6	2177
7	97949, #4 & #5 Not Included



PLUMBING

