

PURE BREEZE FUME HOOD

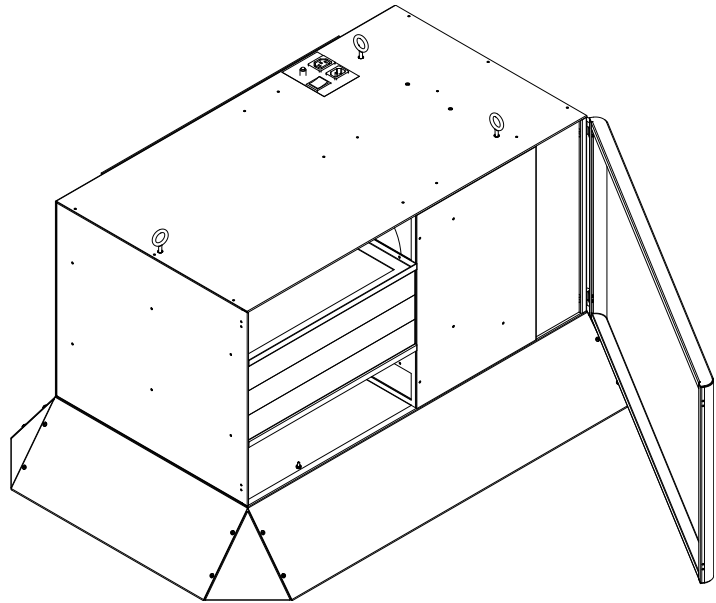
IMPORTANT SERVICE INFORMATION:
SAVE SHIPPING BOX AND FOAM FOR FUTURE SERVICE. SHIPPING WITHOUT PROPER FOAM MAY CAUSE DAMAGE TO UNIT

PACKING LIST

- 1 - Pure Breeze Fume Hood
- 1 - Power Cord
- 1-Wall Hanging Bracket
- 2-Hood Skirt Sides
- 2-Hood Skirt Centers
- 4-Hood Skirt Corners
- 16-Hood Assembly Screws (6-32)
- 3-Hanging Eye Bolts
- 3-Eye Bolt Nuts
- 3-Eye Bolt Washers
- 3-Wall Mounting Screws
- 2-Rubber Feet with adhesive

Components installed at factory

- 1 - Wall Hanging Bracket
- 6 - Hood Mounting Thumb Screws
- 2 - Hood Mounting Star Lock Nuts



ASSEMBLY AND INSTALLATION INSTRUCTIONS

1. To remove the **Fume Hood** from the box, remove loose items, stand the box on end, open the flaps of the box and slide the unit out on its end. Remove the plastic bag and check all parts against the packing list.
2. The Fume Hood can be positioned over the work area three ways. Against a wall with the brackets provided, hung from the ceiling with the eyebolts provided, or by an optional bench stand (see application instructions below). The following must be considered when mounting the Fume Hood on a wall or from the ceiling.
 - a. Wall Mount: Make sure the Fume Hood has at least three inches of clearance on each side for proper exhausting and access to the door latches. The studs of the wall should be able to support 100 pounds.
 - b. When hanging from the ceiling: The ceiling members must also be able to support 100 pounds.

Note: When installed over a furnace some precautions apply, see application instructions below for more information.

PURE BREEZE FUME HOOD

3. Mounting the hood skirt to the case. (Figure A) The hood skirt can be configured to meet the mounting area requirements by just leaving the components out when assembling. Example: If the desired position is next to a corner using the wall mount, simply leave off the skirt parts from the back and desired side.

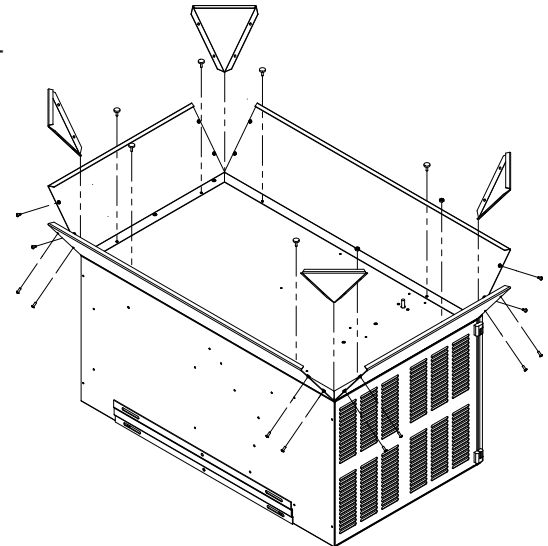


Fig A

- a. Turn the unit over on the top or side being careful to protect the switches.
 - b. Mount the hood skirt side(s) and hood skirt center(s) desired to the bottom of the body with the provided thumb screws and the star lock nuts on the exhaust side.
 - c. Align a Hood Skirt Corner behind the Skirt Side holes and the Skirt Center holes. Attach between the two with four of the Hood Assembly Screws. Repeat as necessary to complete the assembly to desired configuration.
- Hanging from a wall using the Wall Hanging Brackets.
 - a. One bracket is mounted on the back of the unit at the factory.
 - b. Mount the bracket with the open side facing up, level to the ground. One screw must be used at both slots at either end of the bracket. (Figure B) The screws must go into or through a frame member that can support 100 pounds. If the frame members do not line up with both slots at either end, a board should be securely mounted to the wall the size of the unit (length and height) to screw into before mounting the bracket. $\frac{3}{4}$ inch plywood makes an excellent support.
 - c. Remove adhesive from the two rubber feet and stick on the back near the bottom of the case (not on the skirt), so they will bump against wall. This will keep the unit parallel to the wall.
 - d. With help, lift the unit until the bracket attached is above the other bracket screwed to the wall or board. Then, allow the bracket on the unit to drag down into the wall mounted bracket. Double check to make sure that the unit is fully seated into the wall mounted bracket, and centered from side to side.
 - e. Open the door. Put one screw through the existing hole on the left side beneath the filters. This must also screw into a frame member to keep the **Fume Hood** from lifting off of bracket. (See figure B)
 - Hanging from a ceiling member using the eye bolts.
 - a. The three chains, or cables, used must be rated at 100 pounds minimum. They must also be an equal distance from the ground to allow the **Fume Hood** to hang level to the ground. The frame members used must also be able to support 100 hundred pounds.
 - b. Thread the Eye Bolts into the top of the unit a minimum of five turns. Tighten down the lock nut

PURE BREEZE FUME HOOD

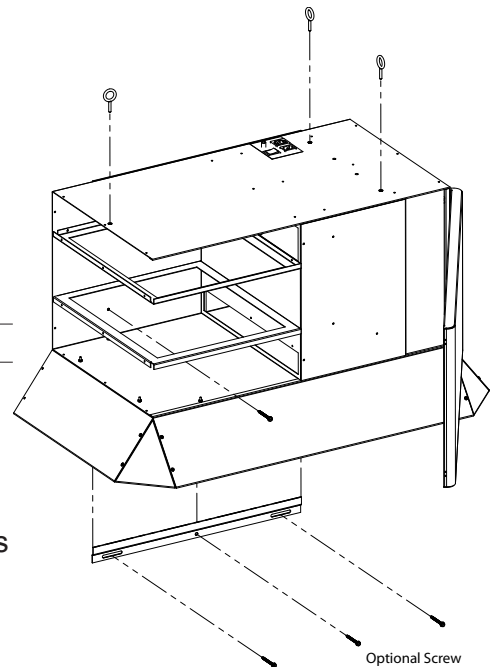
with a washer in between the case and nut.

- c. The unit can now be hung from the hanging devices chosen.

Note: Check local laws and regulations. If unable to install safely or if required by regulations, hire a certified technician to install the product.

APPLICATION INSTRUCTIONS

1. The **Fume Hood** works well over a furnace or other heated device that produces smoke or fumes. A minimum distance of 4.0 inches is required between the heat source and the bottom of the case (not including the skirt). In most cases, the closer to this distance, the better the results as the fumes are kept from escaping. Some hotter furnaces may require a greater distance. The bottom of the case temperature cannot be greater than **120 degrees Fahrenheit**.
2. The **Fume Hood** also works well for fumes from chemicals such as acrylic/monomer. If this is the desired application; **Vaniman** has a tabletop **Stand, P/N 10516**, and a **Stand Window, P/N 10517**, to decrease fumes in the technician's face.



MAINTENANCE

1. **Filter Maintenance** is the most important issue to maintain a clean working environment. As dust, odors, and microbes are collected from the room air, the filters start to fill. When filters are full they restrict air flow and the efficiency of the unit will diminish. Filters must be replaced regularly.
 - a. The **Pre-filter** or first filter is determined by its blue media and is located on the very bottom of the stack. This filter captures the majority of contaminants in the room and will need to be changed more often than the other filters in the unit.

Replacing the Pre-filter: You will notice a group of three filters; the Pre-filter is the one on the bottom. In order to change the Pre-filter you must remove the two above it. Start removing filters from the top and work down through the group of filters. When installing the new Pre-filter make sure the metal reinforcement on the back is facing up. Inspect the other filters and replace them in the opposite order removed. **Order P/N 97021.**

- b. The **Secondary Filter** has white media and is the second filter from the bottom of the stack. This filter captures the smaller particles that may slip through the Pre-filter. As a rule, this filter should be replaced once every three replacements of the Pre-filter.

Replacing the Secondary Filter: As in replacing the Pre-filter, you will need to remove the filter above first, then remove the Secondary filter. When installing the new Secondary filter make sure the metal reinforcement on the back is facing up. **Order P/N 97022.**

PURE BREEZE FUME HOOD

For your convenience Vaniman offers a filter package which includes three Pre-filters and one Secondary Filter. This filter package will enable you to replace your Pre-filters while reminding you of the three to one filter maintenance schedule. **Order P/N 97025.**

- c. The **Charcoal Odor Filter** or third filter can be determined by its metal frame. The Charcoal Odor filter is located on top of the group of filters inside the unit. This filter absorbs odors in the air; it is similar to a chemical sponge used to collect chemicals that emit odors. The Charcoal Odor filter must be changed when the smell of odors increases. **Order P/N 97023.**

Changing the Charcoal Odor Filter: Pull out the old Charcoal Odor filter. Replace with the new one. You must remove the plastic wrapper from the new filter before sliding into place. Either side of the filter may face up. Vaniman recommends to always have a spare. Keep new filters wrapped in their plastic wrappers to ensure freshness until use.

- d. The HEPA filter or fourth filter is the large framed filter on the right side of the motor compartment. It captures particles and organisms down to 0.3 micron. This filter should last six to twelve months before replacement.

Replacing the HEPA filter: Pull the HEPA filter out by pulling on the handle provided and replace with a new filter. **Order P/N 97024.**

2. Circuit Breaker - If the unit has an internal problem, the Circuit Breaker may need to be reset. It is located on the top of the unit by the main power switch and power socket. Correct the problem and push the breaker in.
3. Thermal Protection – The motor in the unit is protected against overheating. Overheating will be caused by inadequate airflow or through the unit. Check the filters and change if necessary. If the unit should turn off during operation due to overheating, it may need to cool down for an hour or two before the thermal protection will reset. Check the circuit breaker first as described in #2 above.