
1. CONDITIONS FOR USE

This micro abrasive blaster may only be operated:

- Indoors;
- Below 6500 ft above sea level altitude;
- Ambient air temperature between 40°-105°F (5-40°C);
- Maximum relative humidity of 80% at 88°F;
- Power supply current fluctuations does not exceed 10% of nominal value;
- Under level 2 contamination conditions;
- Supply cool, dry air only, at a maximum of 150 PSI.

2. SAFETY

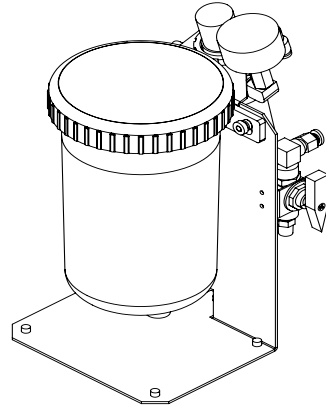
- Always disconnect the unit from the compressed air and power sources before beginning any maintenance.
- When working with the tank wear protective glasses to protect your eyes.
- Any abrasive material on the o-ring may lead to leakage and early wear of the o-ring. After filling, clean the thread and o-ring before applying the lid.
- Solvents will create cracks in the jar and weaken the jar (danger of explosion!). Clean the lid and tank only with a dry cloth. Do not write or adhere anything to the jar or lid.
- Check for damages on the lids and tanks regularly and replace them if there is any doubt of the structural integrity.
- Before operation, check to make certain the lid is secured properly. Using the product without the lid secured will create a serious explosive hazard.
- Never operate the blasting units without suitable dust extraction and appropriate protective gear. The type of dust extraction should be based on the type of dust generated. Ask the proper authorities.
- Never direct the blasting material towards eyes or unprotected areas of skin. Improper use can result in risk of eye or skin injuries.
- Caution: Failure to wear eye protection can result in eye injury. Wear proper eye protection to protect your vision.
- Do not depress the foot switch when only the compressed air supply hose is connected. The loose hose could wrap around itself and cause serious injury.

2.1 Liability Exclusion - Vaniman Manufacturing shall be absolved from all claims for damages and warranty if:

- The product is used for any purpose other than it was designed for.
- The product is altered in any way other than those described in the operating instructions.
- The product is repaired by any body other than an authorized facility or if any parts other than Vaniman OEM parts are used.
- The product continues to be employed, despite obvious safety faults.

PACKING LIST

- 1 - Master Mobile Problast
- 1 - Instructions
- 1 - Additional Barb Fitting



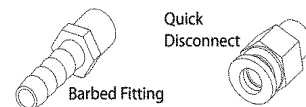
INSTALLATION & OPERATION

1. Unscrew cap on media storage tank
2. Fill abrasive storage tank to fill line with abrasive micron size specified on tank label. The tank will hold up to 4 lbs of media. **DO NOT OVER FILL** as clogging may result.

Part No.	Nozzle Size, Inches (mm)	Color	Recommended Media
Long Lasting Crystal Tips (2 per package)			
97902	Medium, .032" (.8mm)	Blue	25/50 μm Al_2O_3
97903	Large, .048" (1.2mm)	Black	50/100 μm Al_2O_3 , 50 μm Glass
97904	Extra Large, .065" (1.6mm)	Red	100-250 μm Al_2O_3 , 50/100 μm Glass
Precision Tungsten Carbide Tips (1 per package)			
97905	Small, .026" (.65mm)	Yellow	25 μm Al_2O_3
97906	Medium, .036" (.91mm)	Green	50/100 μm Al_2O_3 , 50 μm Glass
97907	Large, .059" (1.5mm)	Violet	100-250 μm Al_2O_3 , 50/100 μm Glass

3. Wipe off excess abrasive and screw cap securely back into place.
4. Attach your 1/4" OD (outside diameter) hose air supply line to the quick disconnect fitting on the back of the unit, on the right of the small valve. If necessary remove the fitting and replace with the larger barb fitting for larger hoses. Secure hose with a small screw-type clamp. **NEVER** depressurize the system by disconnecting the air supply line while under pressure; abrasive will be forced into the foot valve and regulator, causing damage.

For more help visit: [www.vaniman.com/air-supply-connections-blasters/](http://www.vaniman.com/air-supply-connections-blasters/**)



5. The selector knob must be turned to the "ON" position in order for the machine to operate.
6. Regulate air pressure by turning the air regulator knob. Pull knob up to unlock before turning and down to lock. Pressure will indicate pressure reading. **DO NOT** adjust above 100 psi (7 BARS).
7. Use the foot pedal to start the flow of air and blasting media. Release the foot pedal to stop the flow.

MAINTENANCE

Vaniman blasters are designed to be low maintenance. However, as the materials used in a microblaster are abrasive by design, components do wear out. A few minor areas should be maintained regularly for a long product life.

Handpiece Hoses:

Check handpiece hoses for wear regularly. When hose feels thin or holes develop, the tubing should be replaced.

NOTE: The handpiece hose feeds from the back of the unit through the pinch valve, an aluminium assembly, then into the tank. The pinch valve is used to stop and start the media flow for the Instant Shut-Off system. The valve is an area of high wear on the hose. The hose can be slid back and forth through the pinch valve in order to wear a new section of hose. If a hole develops replace the hose.

Handpiece Tip Installation:

It is imperative that the handpiece tip and sealing o-ring be installed correctly and securely to avoid damage or leaks. Install in the manner shown.

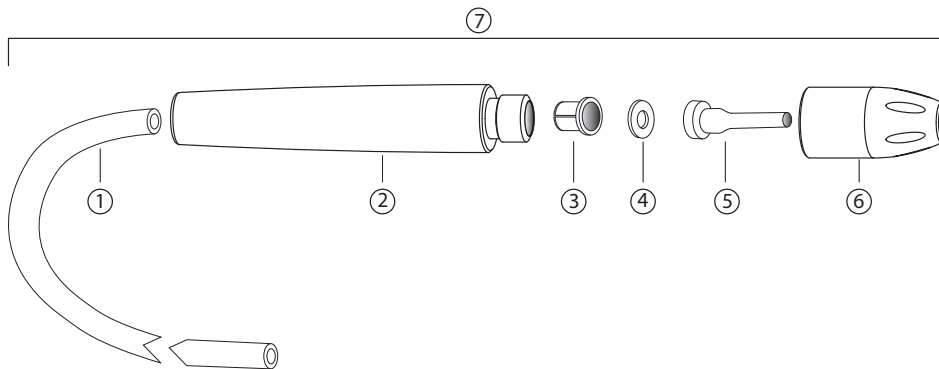
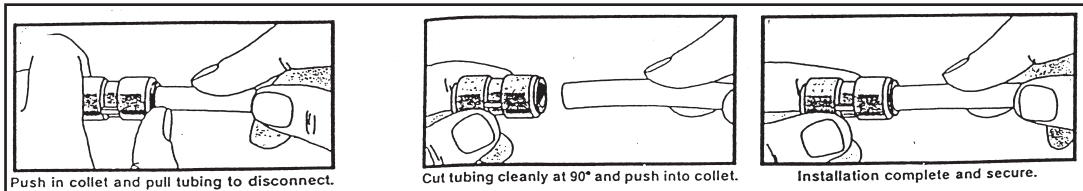


Fig.	Reorder #
1	2192
2	2191
3	2187
4	2188
5	varies, #4 Included
6	2177
7	98109, #4 & #5 Not Included



Tanks:

Be sure the lid is rid of any blasting material or debris before installing the lid on the tank. If the tank or lid begins to wear, replace immediately. **Do not overtighten** the lid on the unit. The fittings on the bottom of the tank are designed for easy maintenance of the hoses. To replace the hose push the plastic ring toward the tank while pulling the hose downward opposite of the plastic ring. The quick disconnect will easily release the hose. Be sure the fitting and new hose are free of debris or abrasives and push the hose firmly into the bottom hose fitting. Be sure it goes in until you can see it through the clear wall of the tank fitting. Improper installation will result in leakage and damage to the tanks.

NOTE: Do not remove the hose fittings while tank is full of media and upright; turn the tank upside down or empty before removing hoses.

Moisture

Vaniman blasters include a Filter for small amounts of oil and moisture. If moisture causes the media to clump or cake in the tanks, improper media flow will result. Be sure the air supply is relatively oil and moisture free. An addition of the heavy duty air filter/dryer may solve the problem.

REPLACEMENT PARTS

Blasting Media

Part No.	Material	Size	Applications
97921	Aluminum Oxide	25µm	Fine surfacing of metal or hard materials.
97922	Aluminum Oxide	50µm	Deburring and deflashing of metals and other hard materials.
97923	Aluminum Oxide	100µm	Aggressive removal of materials, semi-rough finished surface.
97924	Aluminum Oxide	250µm	Bulk removal or surface cleaning of tough materials. Rough surface preparation.
97925	Glass Bead	50µm	Smoothing/polishing. Cleans and polishes without removing material.

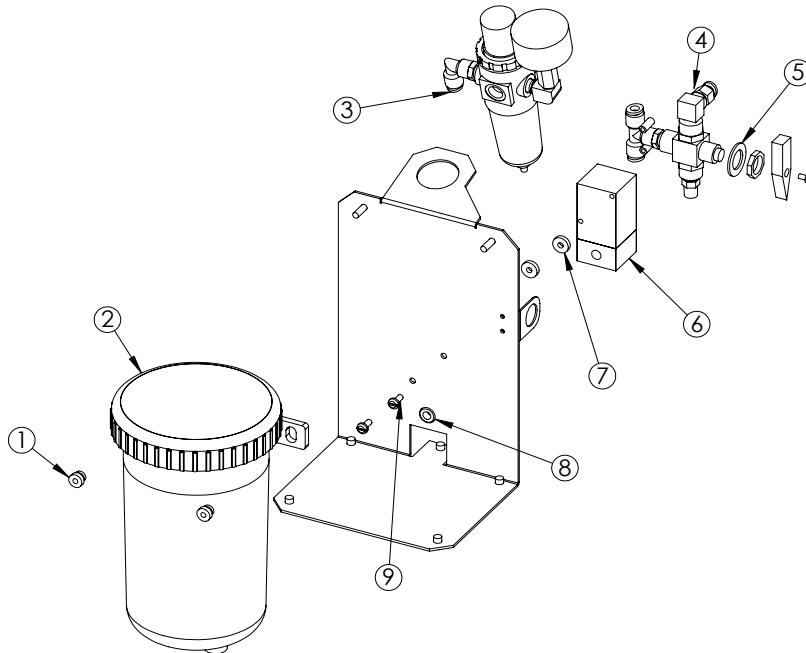


Fig. #	Description	Reorder Part Number
1	Sand Jar Assembly 25 micron Sand Jar Assembly 50-100 micron Sand Jar Assembly 110-250 micron	97956 97957 97958
2	Thumb Nut	2266
3	Regulator	2660
4	Vent Valve Assembly	2283
5	Washer	2036
6	Pinch Valve	2234
7	Spacer, #8, 1/2" x 1/8"	3073
8	Grommet	2819
9	Screw, 8-32 x 3/8" Pan MS	1517
Not Shown	Foot Pedal Assembly	2650

PLUMBING

