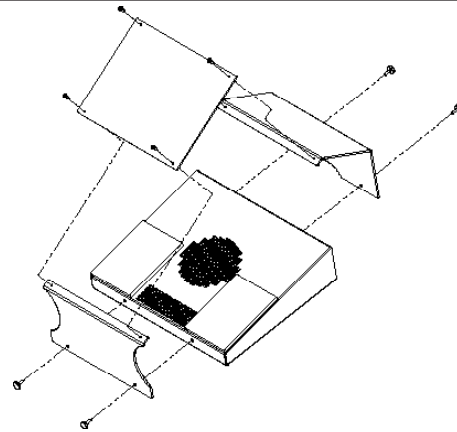


PACKING LIST

- 1 - Downdraft Table
- 4 - 8-32 Thumb Screw
- 4 - 6-32 Stainless Screw
- 1 - Front Shield
- 1 - Back Shield
- 1 - Replaceable Shield (VMC-1046)
- 1 - Flexible Magnet
- 1 - Adapter (VMC-1006A)



ASSEMBLY INSTRUCTIONS

1. Remove the Unit and other parts from the box and check against the packing list.
2. Attach the Front Shield and Back Shield to the Downdraft Table using the (4) thumb screws as shown.
3. Attach the Shield using the (4) stainless screws.

RECOMMENDED USAGE

1. The Downdraft is a work surface dust collector accessory that provides effective dust containment and removal.
2. The magnet provided is used to customize the dust collection openings of the Downdraft. By placing the magnet at different locations over the openings, the technician can direct the vacuum's air flow to achieve maximum debris removal from the work.

MAINTENANCE

1. If the Downdraft has excessive dust inside, the bottom (8) screws can be removed to clean the coated sound insulation with the dust collector.
2. If the replacement shield needs to be replaced, simply remove and replace with part number below.

ACCESSORIES & REPLACEMENT PARTS

Static-Cling Protector	97951	Replacement Shield	VMC-1046
Shut off Valve	VMC-A380		

ADAPTER GUIDE

2 1/2" White Hose (VMC-1023)	1 1/2" Grey Hose (1450) w/ VMC-1009 end	Shut off Valve - VMC-A380
<p>Downdraft 96044</p> <p>2 1/2" White Hose VMC-1023</p>	<p>Downdraft 96044</p> <p>VMC-1006A *Comes w/ the Downdraft</p> <p>VMC-1009</p> <p>1 1/2" Grey Hose 1450</p>	<p>VMC-A380</p> <p>2 1/2" White Hose VMC-1023</p> <p>2 1/2" Accessory</p>