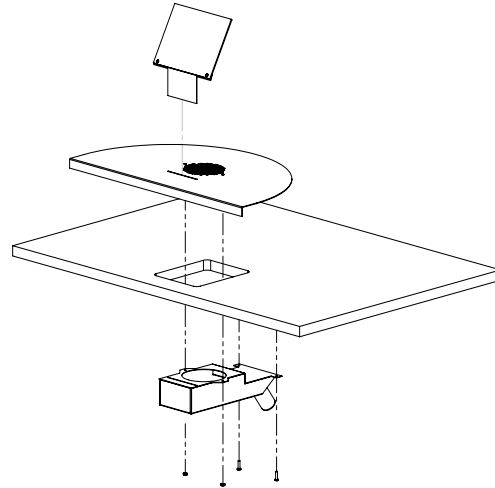

PACKING LIST

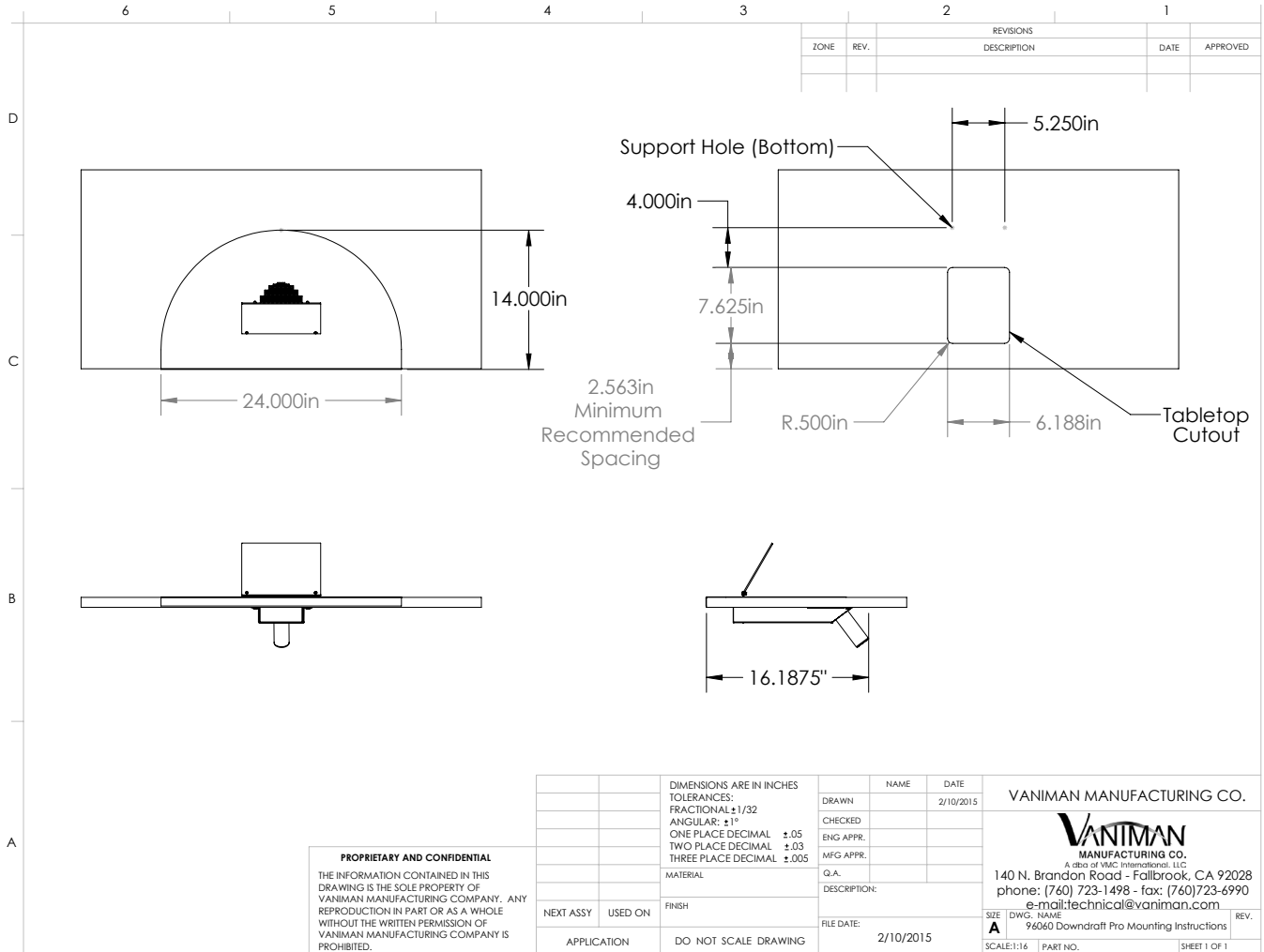
- 1 - Stainless Steel Worktop
- 1 - Worktop Sub-assembly
- 1 - Shield Assembly
- 1 - 1-1/2" Hose End
- 2 - 10-3/4" Screw
- 2 - 10-32 Nuts



ASSEMBLY INSTRUCTIONS

1. Remove the unit and other parts from the box and check against the packing list.
2. Use the attached mounting instructions to cut the correct hole in the countertop.
2. Set the DownDraft Pro in place.
3. Align holes with threaded studs and hold the worktop sub-assembly up while threading the 10-32 nuts on the studs.
4. Use the #10 screw to secure the sub-assembly to the bottom of the work bench
5. Tighten all fasteners.

DIMENSIONS



PROPRIETARY AND CONFIDENTIAL
THE INFORMATION CONTAINED IN THIS DRAWING IS THE SOLE PROPERTY OF VANIMAN MANUFACTURING COMPANY. ANY REPRODUCTION IN PART OR AS A WHOLE WITHOUT THE WRITTEN PERMISSION OF VANIMAN MANUFACTURING COMPANY IS PROHIBITED.

DIMENSIONS ARE IN INCHES		NAME	DATE	VANIMAN MANUFACTURING CO. VANIMAN MANUFACTURING CO. A div of VMC International, LLC 140 N. Brandon Road - Fallbrook, CA 92028 phone: (760) 723-1498 - fax: (760)723-6990 e-mail: technical@vaniman.com
TOLERANCES:		DRAWN	2/10/2015	
FRACTIONAL ±1/32		CHECKED		
ANGULAR: ±1°		ENG APPR.		
ONE PLACE DECIMAL ±.05		MFG APPR.		
TWO PLACE DECIMAL ±.03		G.A.		DESCRIPTION:
THREE PLACE DECIMAL ±.005		FILE DATE:	2/10/2015	
MATERIAL		APPLICATION		SCALE: 1:16
NEXT ASSY	USED ON	FINISH		PART NO.
DO NOT SCALE DRAWING				SHEET 1 OF 1