

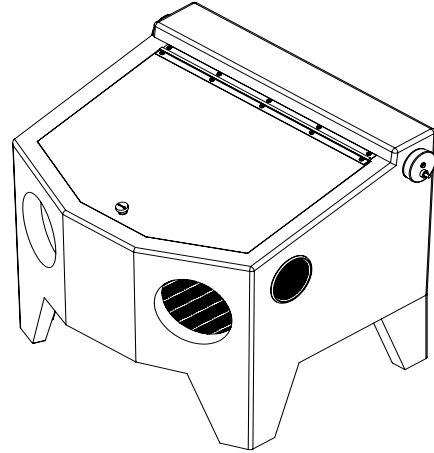
---

## PACKING LIST

---

- 1 - Blast It! unit
- 1 - Sample Static Cling Protector Shield
- 1 - DC Power Supply

**IMPORTANT SERVICE INFORMATION:**  
SAVE SHIPPING BOX AND FOAM FOR FUTURE SERVICE. SHIPPING WITHOUT PROPER FOAM MAY CAUSE DAMAGE TO UNIT



---

## ASSEMBLY INSTRUCTIONS

---

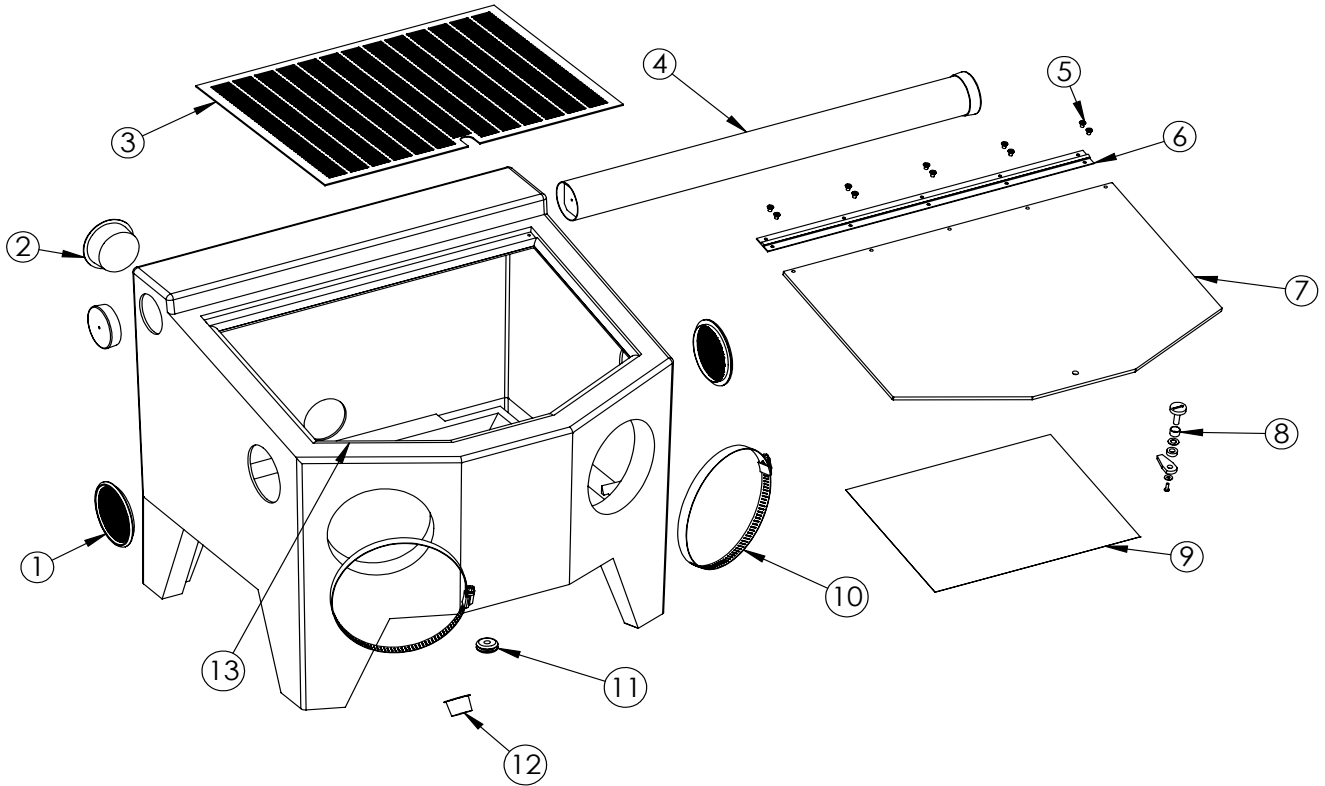
1. Remove all packing material
2. Plug DC Power Supply into electrical outlet then into the side of the light.
3. Install the Protective Shield in the inside of the viewing window with the self adhesive strips provided. (Additional shields are available from your supplier.)
4. Pour blasting media into the chamber beneath the metal screen. Refill as necessary to provide adequate media for the suction tube.
5. Attach your air supply line to the ¼" NPT fitting on the black plastic air line on the unit. You may want to use a quick disconnect fitting to hook up to your shop air line. Your air compressor needs to supply at least 5 cfm at 60 to 80 psi.
6. Turn on the light by turning the knob on the right side of the Blast It!
7. Prior to use, make sure the viewing window is securely locked, with the arrow pointing down.
8. If desired, connect dust collector to back of unit for maximum visibility.

---

## MAINTENANCE

---

1. The blasting tip needs to be changed periodically as it wears due to the abrasive flow. (Replacement tips are available from your supplier.) Remove the old tip with the hex wrench provided. Replace the tip and gently tighten the hex screw.



| Fig. #    | Description                                     | Reorder Part Number |
|-----------|---|---------------------|
| 1         | Vent  | 2613                |
| 2         | Blue Cap  | 1751                |
| 3         | Floor Screen                                    | 2711                |
| 4         | LED Light Assembly                              | 97969               |
| 5         | Screw, #8 x 1/4" FHSMS                          | 2609                |
| 6         | Window Assembly (with window, latch, and hinge) | 2712                |
| 7         | Window Only                                     | 2713                |
| 8         | Latch and Spacer                                | 2025 & 2026         |
| 9         | Static Cling Protector Shield                   | 97951               |
| 10        | Clamp   | 1413                |
| Not Shown | Gloves (pair)                                   | 97944               |
| 11        | Grommet   | 2005                |
| 12        | Red Cap   | 2608                |
| 13        | Window Gasket Kit                               | 2030B               |
| Not Shown | Siphon Gun                                      | 2706                |
| Not Shown | Ceramic Blasting Tip                            | 98102               |
| Not Shown | Steel Blasting Tip                              | 2725                |