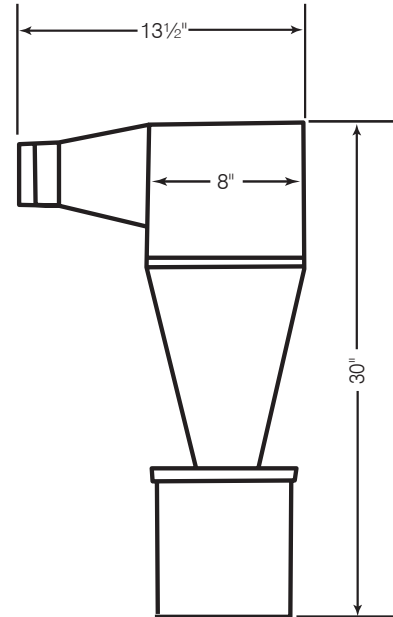

THE 4 " ACCUMULATOR

- 1 - Accumlator
- 1 - Mounting Bracket
- 1 - Elbow for 4" Hose
- 1 - Large Circular Clamp
- 2 - Medium Hose Clamps



INSTALLATION AND MOUNTING :

The Accumulator comes with a mounting bracket that may be fastened to a wall by using the two #8 wood screws provided or other wall fasteners to attach the bracket in place before assembling the Accumulator. To fasten to a wall, loosen the large band clamp and remove from the Accumulator. Fasten to the wall or other vertical surface before sliding the Accumulator back into the clamp and tightening. Leave enough room (2 inches) under the cup so that it may be emptied.

HOSE CONNECTION:

The Accumulator is installed between the workstation and the vacuum system. Connect the hose from the dust collector to the outlet on top of the Accumulator. The hose collecting the debris should connect to the inlet tube, horizontal arm, of the Accumulator.

The inlet and outlet tubes of the Accumulator are designed to accommodate standard 4" vacuum hose. The 4" hose ends slip over the inlet and outlet tubes and elbow and seal with the medium band clamps supplied. Insert the elbow at the top of the Accumulator by gently pushing and twisting it into place. Adapters are available for 2½" and 3" hose. Adapters and hoses are available from your supplier or call Vaniman direct (1-800-VANIMAN or 1-760-723-1498 in California).

OPERATION:

Make sure the collection cup is snapped into place on the bottom of the unit. The metal toggle latches hold the cup in place. To remove the cup, make sure the vacuum system is off. Gently tap the sides of the Accumulator to shake down dust into the cup. Hold the collection cup with one hand on each side directly below the toggle latches. With your index fingers, flip the toggles upward then swing the wire bales outward. Lower the cup and empty the contents. Replace the cup onto the bottom rim of the Accumulator, swing the wire bales over the bottom rim of the Accumulator, and snap the toggle latches down to secure the cup in place.

Turn the vacuum system on and use as you normally would. As the collector pot fills with dust, you can see the material through the translucent walls of the pot. It is best to empty the pot daily or when it is half full.