

PACKING LIST

- 1 - Smart Switch
- 1 - Power Supply
- 1 - Connection Cable

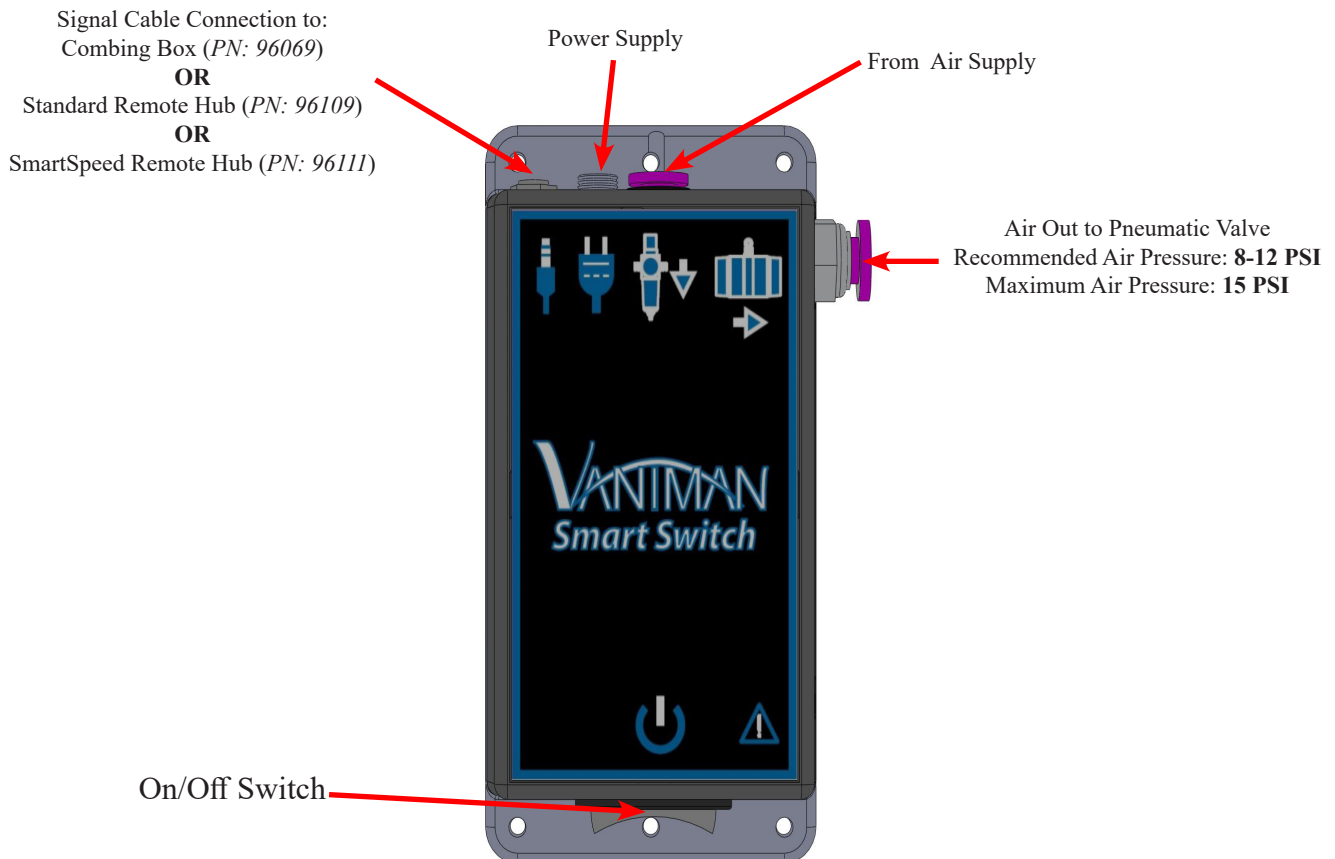
INTRODUCTION

The Smart Switch allows you to control your dust collector and pneumatic valve with the flip of a switch. When you flip the On/Off switch, the dust collector will start automatically and open the pneumatic valve, opening the station.

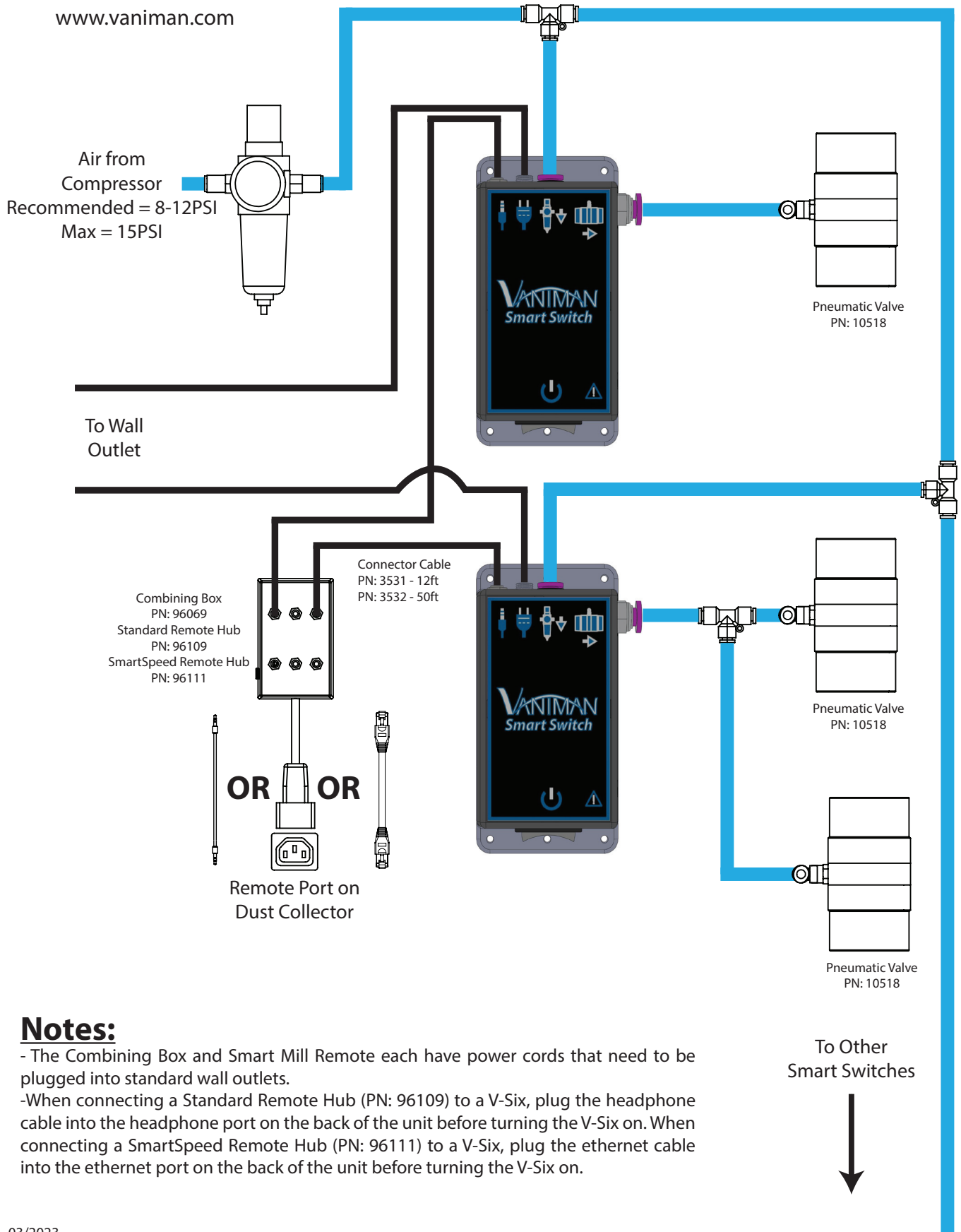
INSTRUCTIONS

Plug the Smart Switch's power supply into an outlet. Plug the connector cable into the jack on the Smart Switch and plug the other end into a Combining Box (PN: 96069). Plug the Combining Box into the remote port on the dust collector. Connect 1/4" OD air tube from an air supply to the quick disconnect on the Smart Switch. Connect a 1/4" tube from the pneumatic valve (PN: 10518) to the quick disconnect located on the side of the Smart Switch. Flip the On/Off switch to the ON position. The dust collector should come on and the pneumatic valve should open. Turn the switch to the OFF position, the dust collector should turn off and the pneumatic valve should close. The recommended supplied air pressure is 8-12 PSI.

NOTE: To prevent damage, do not supply more than 15 PSI to the Smart Switch or Pneumatic Valves.



Connection Guide for Smart Switches PN: 96068



Notes:

- The Combining Box and Smart Mill Remote each have power cords that need to be plugged into standard wall outlets.
- When connecting a Standard Remote Hub (PN: 96109) to a V-Six, plug the headphone cable into the headphone port on the back of the unit before turning the V-Six on. When connecting a SmartSpeed Remote Hub (PN: 96111) to a V-Six, plug the ethernet cable into the ethernet port on the back of the unit before turning the V-Six on.

To Other
 Smart Switches

