

PURE BREEZE FUME HOOD 120V

Warnings and Precautions



-Alternating Current



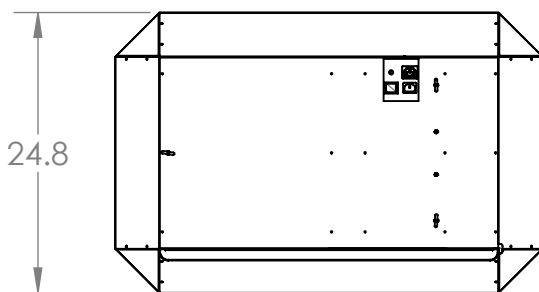
-Caution, Risk of Electrical Shock

This air purifier is designed to run on 120 volt alternating current at 60 Hz, with a maximum current of 5 amps at temperatures ranging from -10°C to +40°C (14°F to 104°F). The plug on the unit labeled “Power Cord ~” is for the supply line cord provided. The supply outlet in the wall must have a wired ground and if the door of the unit is opened for any reason, do not bypass the protective earthing.

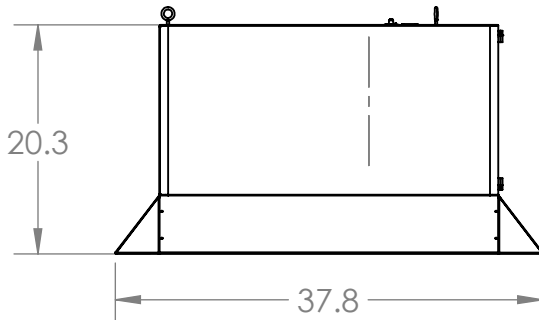
When choosing the location of your Pure Breeze Fume Hood, be sure that the location allows the power cord to be accessible at all times. Additionally, since the Pure Breeze Fume Hood draws air into the unit from the bottom and exhausts clean air from the side, ensure that the unit is either mounted to the wall or ceiling and there is at least 6 inches of clearance near the exhaust openings on the side of the unit. A lack of airflow through the unit will decrease the efficiency of the air purification process.

Failure to comply with the precautions listed here or any others for this equipment may cause electrical shock or equipment failure.

Top View



Front View



Pure Breeze Fume Hood PN: 10370

Dimensions: 37.8”L x 24.8”W x 20.3”H
Weight: 70 lbs.
Voltage: 120V
Amperage: 5A
Frequency: 60Hz.
Power Rating: 204W

PURE BREEZE FUME HOOD 120V

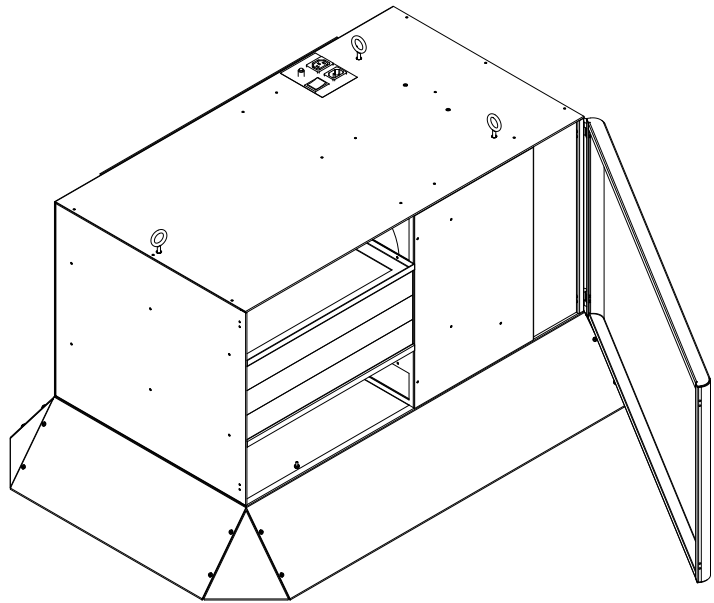
IMPORTANT SERVICE INFORMATION:
SAVE SHIPPING BOX AND FOAM FOR FUTURE SERVICE. SHIPPING WITHOUT PROPER FOAM MAY CAUSE DAMAGE TO UNIT

PACKING LIST

- 1 - Pure Breeze Fume Hood
- 1 - Power Cord
- 1 - Wall Hanging Bracket
- 2 - Hood Skirt Sides
- 2 - Hood Skirt Centers
- 4 - Hood Skirt Corners
- 3 - Hanging Eye Bolts
- 3 - Eye Bolt Nuts
- 3 - Eye Bolt Washers
- 3 - Wall Mounting Screws
- 2 - Rubber Feet with adhesive
- 16 - Hood Assembly Screws (6-32)

Components installed at factory

- 1 - Wall Hanging Bracket
- 6 - Hood Mounting Thumb Screws
- 2 - Hood Mounting Star Lock Nuts



ASSEMBLY AND INSTALLATION INSTRUCTIONS

1. To remove the **Fume Hood** from the box, open the box flaps, remove the loose items, stand the box upright, and slide the unit out. Remove the plastic bag from the unit and check all parts against the packing list.
2. Laying the Fume Hood flat with the control panel facing up, unlatch the door from the left side and open. Remove all filters from the unit and remove the plastic bags covering each filter. The plastic bags must be removed for the unit to work. Place the filters back into the unit in the same order they were removed starting with the Pre-Filter (P/N 97021) on bottom, the Secondary Filter (P/N 97022) next, then the Charcoal Odor (P/N 97023) filter last. The HEPA filter (97024) should be replaced above the motor compartment.
3. The **Hood Skirt** can be configured to meet the mounting area constraints by just leaving corresponding components out when assembling (see Figure A on next page). For example: If the desired position is near a corner using the wall mount, simply leave off the skirt parts from the back and adjacent wall side. To install the hood skirt parts:

PURE BREEZE FUME HOOD

120V

- a. Turn the unit over on to the top or side being careful to protect the switches.
 - b. Mount the *Hood Skirt* side(s) pieces and hood skirt center(s) pieces needed to the bottom of the case with the provided thumb screws and the star lock nuts on the exhaust side.
 - c. Align a *Hood Skirt* corner piece behind the skirt-side holes and the skirt-center holes. Attach the pieces to each other with four of the hood skirt assembly screws provided. Repeat as necessary to complete the assembly to the desired configuration.
4. The Fume Hood can be positioned over the work area in three ways: a) mounted against a wall with the brackets provided, b) hung from the ceiling with the eyebolts provided, c) or by an optional bench stand (see application instructions below). The following must be considered when mounting the Fume Hood on a wall or from the ceiling:

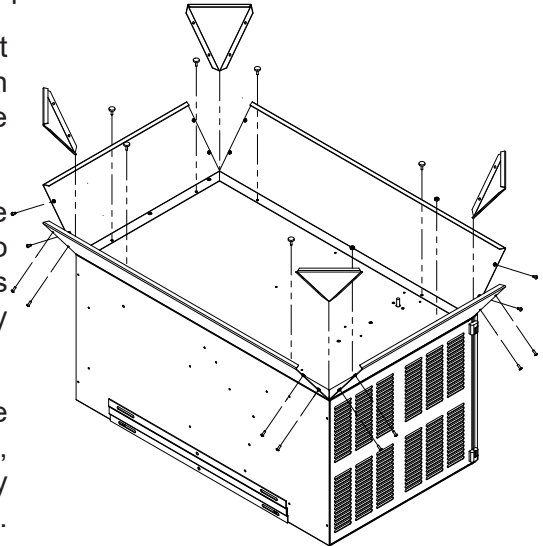


Fig A

Note: When installed over a furnace some precautions apply, please see application instructions section below for more information.

- a. **Wall Mount:** Make sure the Fume Hood has at least three inches of clearance on each side for proper exhausting ventilation and access to the door latches.
 - i. One piece of the bracket is mounted on the back of the unit at the factory.
 - ii. Mount the second bracket piece with the open side facing up and level to the ground. One screw must be used at both slots at each end of the bracket. (Figure B) The screws must go into or through a wall stud that can support at least 100 pounds. If the wall studs do not line up with both slots at either end, use drywall anchors rated for 100 pounds or more to secure the bracket to the wall. Alternatively, a 3/4" thick plywood sheet can be mounted to the wall using the wall studs, and the bracket can be mounted to the plywood sheet.
 - iii. Remove backing from from the two adhesive rubber feet and stick them on the back of the case near the bottom (not on the skirt),so they will bump against wall. This will keep the unit parallel to the wall.
 - iv. With help, lift the unit until the bracket attached is above the other bracket screwed to the wall or board. Then, allow the bracket on the unit to drag down into the wall mounted bracket. Double check to ensure that the unit is fully seated in the wall mounted bracket, and centered from side to side.
 - v. Open the door. Put one screw through the existing hole on the left side beneath the filters. This must also screw into a wall stud to keep the **Fume Hood** from lifting off of bracket. (See figure B)

PURE BREEZE FUME HOOD 120V

b. Ceiling Mount: The ceiling members must be able to support 100 pounds.

- i. The three chains, or cables, used must be rated at 100 pounds minimum. They must also be an equal distance from the ground to allow the **Fume Hood** to hang level to the ground. The frame members used must also be able to support 100 hundred pounds.
- ii. Thread the Eye Bolts into the top of the unit a minimum of five turns. Tighten down the lock-nut with a washer in between the case and nut.
- iii. The unit can now be hung from the hanging devices chosen.

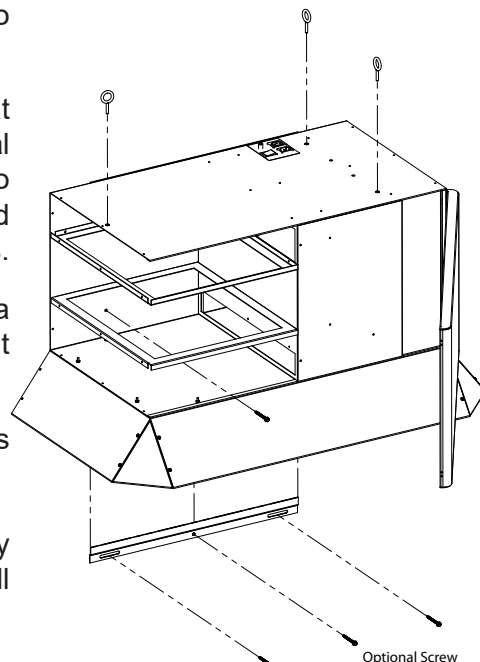


Fig B

Note: Check local laws and regulations. If unable to install safely or if required by regulations, hire a certified technician to install the product.

5. Once your Fume Hood has been securely mounted in your selected location, plug one end of the Power Cord into the socket labeled "Power" on the top of the unit, and then plug the other end into any standard grounded wall outlet. To test the unit, flip the *On/Off/Remote* switch on the top of the unit into the *On* position and turn the selector switch on the bottom of the unit to either low, medium or high.
6. If you are using Vaniman's Remote Switch accessory, **P/N VMC-A450**, test it with the Fume Hood by plugging it into the socket labeled Remote on the control panel on the top of the unit. Next, flip the *On/Off/Remote* switch on that same control panel to the Remote position. Ensure that the selector switch is either on low, medium, or high, then flip the switch on the Remote box into the *On* position. You should hear the Fume Hood turn on and moving air. Make sure to turn the Remote switch off when Fume Hood is not in use.

APPLICATION INSTRUCTIONS

1. The **Fume Hood** works well over laboratory furnaces or ovens that produces smoke or fumes. A minimum distance of four inches is required between the heat source and the bottom of the case (not including the skirt). In most cases, the closer the Fume Hood is to this distance from the source, the better the results as the fumes are kept from escaping. Some hotter furnaces may require a greater distance. The bottom of the case temperature cannot exceed **120 degrees Fahrenheit**.
2. The **Fume Hood** also works well for fumes from chemicles such as acrylic/monomer. If this is the desired application, Vaniman has a **Tabletop Stand, P/N 10516**, and a **Stand Window, P/N 10517**, to prevent fumes from reaching the technician's face.

PURE BREEZE FUME HOOD

120V

MAINTENANCE

Before performing any maintenance tasks on this unit, flip the On/Off switch into the Off position and remove the supply cord from the unit.

1. **Filter Maintenance** is most important to maintain a clean working environment. As dust, odors, and microbes are collected from the air in the room, the filters start to fill. When filters are full, they restrict air flow diminishing the efficiency of the **Fume Hood**. Filters must be replaced regularly to assure the proper function of this unit.

a. The **Pre-filter** (first filter) is identified by its white media and is located on the very bottom of the stack. This filter captures the majority of larger sized contaminants in the room and will need to be changed more often than the other filters in the unit. Replace the Pre-filter when the air flow drops significantly, the filter appears substantially dirty, or every 3-6 months, whichever comes first.

Replacing the Pre-filter:

You will notice a group of three filters; the Pre-filter is the one on the bottom. In order to change the Pre-filter you must remove the two above it. Start removing filters from the top and work down through the group of filters. When installing the new Pre-filter make sure the metal reinforcement side is facing up. Inspect the other filters and replace them in the opposite order then they were removed. **Order P/N 97021.**

b. The **Secondary Filter** is identified by its white media and is the second filter from the bottom in the stack. This filter captures the smaller particles that may slip through the Pre-filter. As a rule, this filter should be replaced once every three replacements of the Pre-filter.

Replacing the Second Filter:

Comparable to replacing the Pre-filter, you will need to remove the filter above first, then remove the Secondary filter. When installing the new Secondary filter, make sure the metal reinforcement side is facing up. **Order P/N 97022**

For your convenience Vaniman offers a filter package which includes three Pre-filters and one Secondary Filter. This filter package will enable you to replace your Pre-filters while reminding you of the three to one filter maintenance schedule. **Order P/N 97025.**

c. The **Charcoal Odor Filter** (third filter) can be identified by its metal frame. The Charcoal Odor Filter is located on top of the group of filters inside the unit. This filter absorbs odors in the air as it is similar to a chemical sponge used to collect odorous chemicals. The Charcoal Odor Filter must be changed when an increase of odors from the unit is detected.

Replacing the Charcoal Odor Filter:

Pull out the old Charcoal Odor filter from the unit. Remove the plastic packaging from the new filter before sliding into place. Either side of the filter may face up. Vaniman recommends to always have a spare, however, keep new unused filters wrapped in their plastic wrappers to ensure freshness until use. **Order P/N 97023.**

PURE BREEZE FUME HOOD 120V

d. The **HEPA Filter** (fourth filter) is the large aluminum framed filter on the right side of the motor compartment. It captures 99.97% of particles and organisms down to 0.3 micron. This filter should last six to twelve months before replacement.

Replacing the HEPA filter: Pull the HEPA filter out of the unit by pulling on the handle provided and discard filter appropriately. Remove any packaging material from the new HEPA Filter, and orientate it so that the pull handle and label are facing you. Align the frame of the filter with the outer walls of the unit and slide into place. **Order P/N 97024.**

i. **Circuit Breaker** - If the unit has an internal electrical problem or has been overloaded by a power surge, the Circuit Breaker may need to be reset. It is located on the top of the unit by the main power switch and power socket. To reset the circuit breaker, flip the On/Off switch into the Off position, unplug the power cord from the unit, correct the problem then push the breaker reset button until it clicks.

2. **Thermal Protection** – The motor in the unit is protected against overheating. Overheating will be caused by inadequate airflow or through the unit, so make sure to check the filters and change if necessary. If the unit should turn off during operation due to overheating, it may need to cool down for an hour or two before the thermal protection will reset. Check the circuit breaker first as described in #2 above.

REPLACEMENT PARTS

The following items are offered to enhance the usage of your quality Vaniman Unit. These items can be ordered through your supplier using the following part numbers. Please feel free to contact Vaniman Manufacturing Co. with questions regarding our products.

Description	Part Number
Tabletop Stand	10516
Tabletop Stand Window	10517
Pre-Filter	97021
Secondary Filter	97022
Pre-Filter & Secondary Filter Kit	97025
Charcoal Odor Filter	97023
HEPA Filter	97024
Circuit Breaker, 5A	3436
Power Supply	1422
Selector Switch Knob	1471
Remote Switch	VMC-A450
Remote Switch 6ft Extension Cable	10505
Eye Bolts	3191
Wall Mount Bracket Screws	3195

READ AND SAVE THESE INSTRUCTIONS

MAINTENANCE

- 1. WARNING** - TO REDUCE THE RISK OF FIRE, ELECTRIC SHOCK, OR INJURY TO PERSONS, OBSERVE THE FOLLOWING:
- a. Use this unit in the manner intended by Vaniman. If you have any question about the use of this product, please contact Vaniman directly.
 - b. Before servicing or cleaning this unit, switch power *Off* at the service panel and lock the service disconnecting means to prevent power from being switch *On* accidentally. When the service disconnecting means cannot be locked, securely fasten a prominent warning device, such as a tag, to service the panel.
 - c. When servicing or replacing components, unplug the power cord to ensure that the unit is disconnected to the power supply. Once servicing or component replacement is complete, confirm that the safety devices are reinstalled or remounted as previously installed by Vaniman.
 - d. Do not use this unit's fan with any solid-state speed control devices.
 - e. Do not operate any fan with a damaged cord or plug. Discard cord or plug or return to Vaniman for examination and/or repair.
 - f. Do not run cord under carpeting. Do not cover cord with throw rugs, runners, or similar coverings. Do not route cord under furniture or appliances. Arrange cord away from traffic areas and where it will not be tripped over.