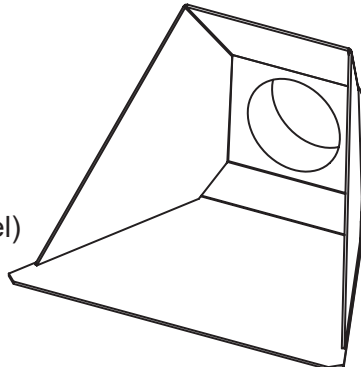
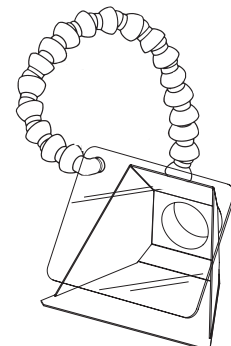


**PACKING LIST**

- 1 - Fishmouth
- 1 - Adapter (VMC-1006A)
- 1 - Flex Shield (with 10503 Model)



Fishmouth Plus - VMC-A395



Fishmouth Plus w/ Flex Shield - 10503

**ASSEMBLY INSTRUCTIONS**

1. Remove the Fishmouth and other parts from the packaging and check against the packing list.
2. If applicable to your setup, insert Adapter into the collecting port if needing to connect to 1.5" Grey Hose (see picture below). Otherwise connect the 2.5" White Hose directly to the Fishmouth.
3. If applicable, attach Flex Shield to the Fishmouth. Position the Flex Shield in front of work to prevent debris from impairing vision during the grinding process.

**RECOMMENDED USAGE**

Both Fishmouth models are work surface dust collector accessories that provides effective dust containment and removal. The Fishmouth is recommended for use with the Vanguard Gold 2X or Voyager dust collectors.

**ACCESSORIES & REPLACEMENT PARTS**

- Shut-off Valve P/N: VMC-A380
- Replacement Flex Shield Only P/N: VMC-A391A
- Flex Shield Assembly P/N: VMC-A391

**ADAPTER GUIDE**

2 1/2" White Hose (VMC-1023)	1 1/2" Grey Hose (1450) w/ VMC-1009 end
<b>Fishmouth</b>	
<p>None</p> <p>Fishmouth VMC-A395</p> <p>2 1/2" White Hose VMC-1023</p>	<p>VMC-1006A *Comes w/ the Fishmouth</p> <p>Fishmouth VMC-A395</p> <p>VMC-1006A *Comes w/ the Fishmouth</p> <p>VMC-1009</p> <p>1 1/2" Grey Hose 1450</p>
<b>Shut Off Valve VMC-A380</b>	
<p>None</p> <p>VMC-A380</p> <p>2 1/2" White Hose VMC-1023</p> <p>2 1/2" Accessory</p>	<p>VMC-1006A *Comes w/ the Fishmouth</p> <p>VMC-1009</p> <p>VMC-A380</p> <p>1 1/2" Grey Hose 1450</p> <p>VMC-1006A</p> <p>2 1/2" Accessory</p>