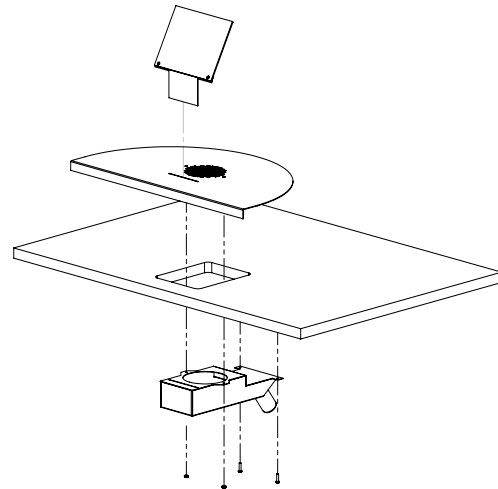


PACKING LIST

- 1 - Stainless Steel Worktop
- 1 - Worktop Sub-assembly
- 1 - Shield Assembly
- 1 - 1-1/2" Hose End
- 2 - 10-3/4" Screw
- 2 - 10-32 Nuts



ASSEMBLY INSTRUCTIONS

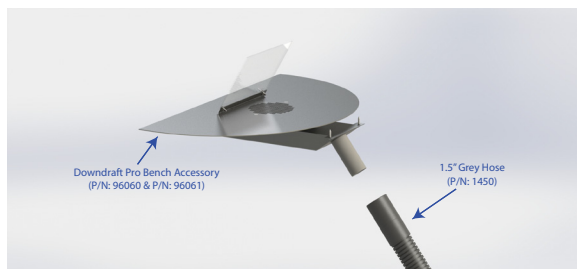
1. Remove the unit and other parts from the box and check against the packing list.
2. Use the attached mounting instructions to cut the correct hole in the countertop.
3. Set the Stainless Steel Worktop in place.
4. Align holes with threaded studs and hold the worktop sub-assembly up while threading the 10-32 nuts on the studs.
5. Use the #10 screw to secure the sub-assembly to the bottom of the work bench
6. Tighten all fasteners.

REPLACEMENT PARTS

Replacement Shield **P/N: VMC-1045**

PLUMBING CONNECTIONS

1.5" Grey Hose



2.5" White Hose

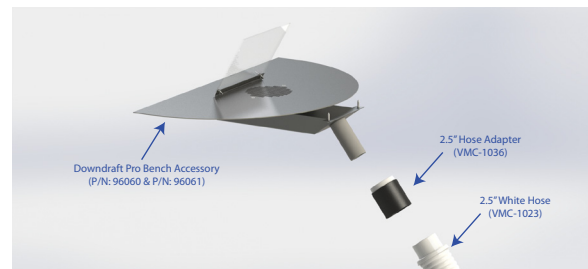
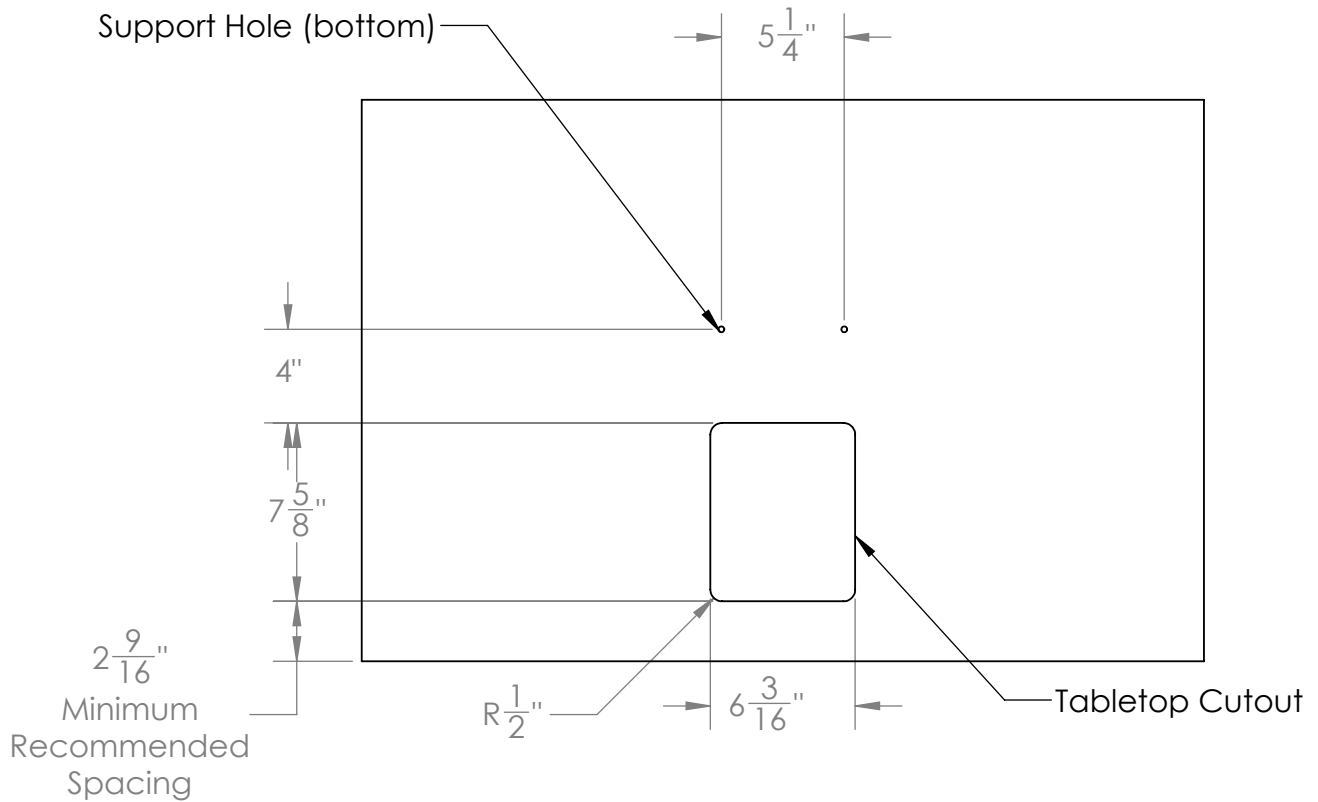
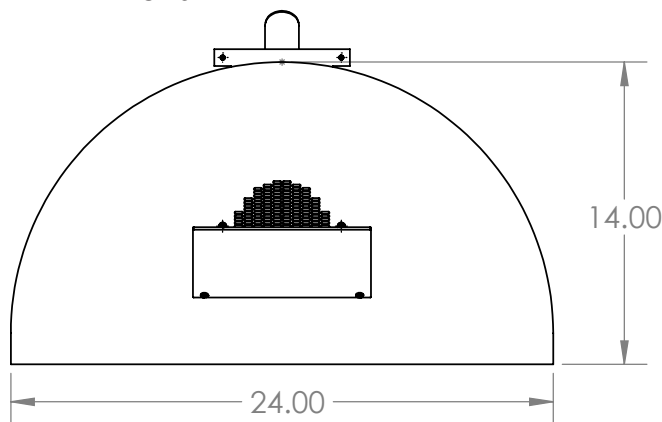


TABLE TOP CUTOUT DIMENSIONS



OVERALL DIMENSIONS

1. 12" Plenum:



2. 18" Plenum:

