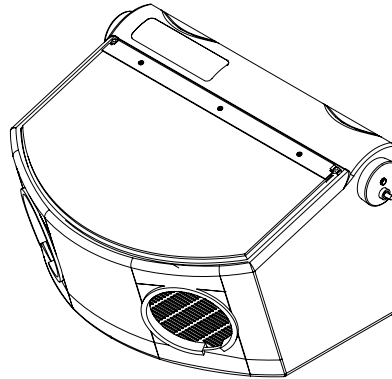


PACKING LIST

- 1 - Medium Cabinet
- 1 - Instructions
- 1 - DC Power Supply



INSTALLATION & OPERATION

1. Remove the unit and all packaging material from the box.
2. Plug the DC Power Supply into an electrical outlet, then into the right side of the light assembly.
3. To turn the light on, rotate the light switch (near the port where you plugged the power supply in) until it clicks and the light turns on.
4. Connect your dust collector to the 1.5" port on the back of the cabinet.

REPLACEMENT PARTS

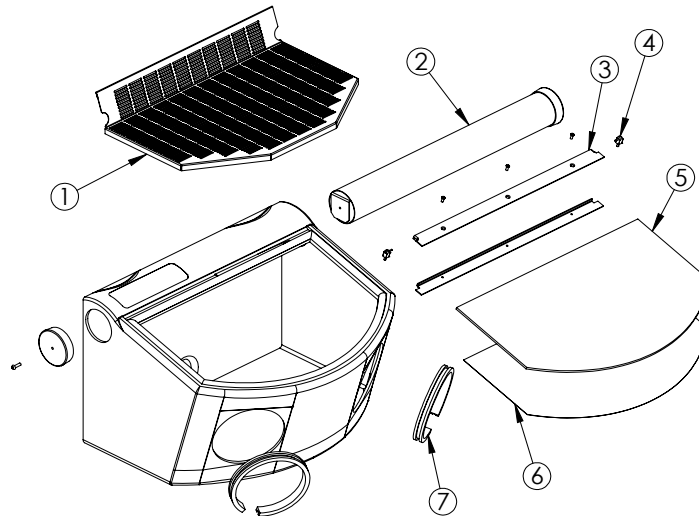


Fig. #	Description	Reorder Part Number
1	Floor Screen	2327
2	LED Light Assembly	97968
3	Window Bracket Assembly (with glass)	2353
4	Pin-Hinge Assembly	2290
5	Window Only	2351
6	Protector Shield	97961
7	Cuff Holder	2034
Not Shown	Cuff (black cloth)	2033