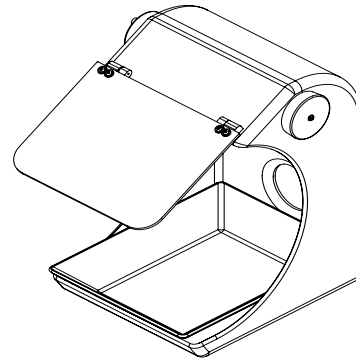


PACKING LIST

- 1 - Splash Hood with LED Light
- 1 - Dust Pan
- 1 - Cap
- 1 - Cap with Screen
- 1 - Adapter (VMC-1006A)
- 1 - DC Power Supply



ASSEMBLY INSTRUCTIONS

1. Remove the Unit and other parts from the box and check against the packing list.
2. Attach a dust collector hose to the 2-1/2" port on the back. If using the 1-1/2" hose, attach adapter VMC-1006A to the end of the hose and insert into Splash Hood port.
3. If you want to prevent large debris from being collected, add the cap with screen to the end of 2-1/2" hose (or to the white adapter if using 1-1/2" hose), and insert into Splash Hood port. If you are not using any vacuum, you can insert the cap into the port to keep debris from exiting the hood.

OPERATION

1. The Splash Hood should be positioned appropriately to maximize dust and debris collection.
2. Plug in one end of DC power supply to any standard wall outlet, and the barrel end into the power receptacle on the right side of the Splash Hood.
3. The LED light can be turned on by rotating the switch clockwise on the right side of the Splash Hood.

MAINTENANCE

1. If the replacement shield needs to be replaced, remove and replace with part number below.

REPLACEMENT PARTS

Replacement Shield	96049
Replacement LED Light	97994

Making Splash Hood Connections:

<p>None</p> <p>Splash Hood 96045</p> <p>2 1/2" White Hose VMC-1023</p>	<p>VMC-1006A *Comes w/ the Splash Hood</p> <p>Splash Hood 96045</p> <p>VMC-1006A *Comes w/ the Splash Hood</p> <p>1 1/2" Grey Hose 1450</p> <p>VMC-1009</p>
--	---