

---

## PACKING LIST

---

- 1 - Smart Switch
- 1 - Power Supply
- 1 - Connection Cable

---

## INTRODUCTION

---

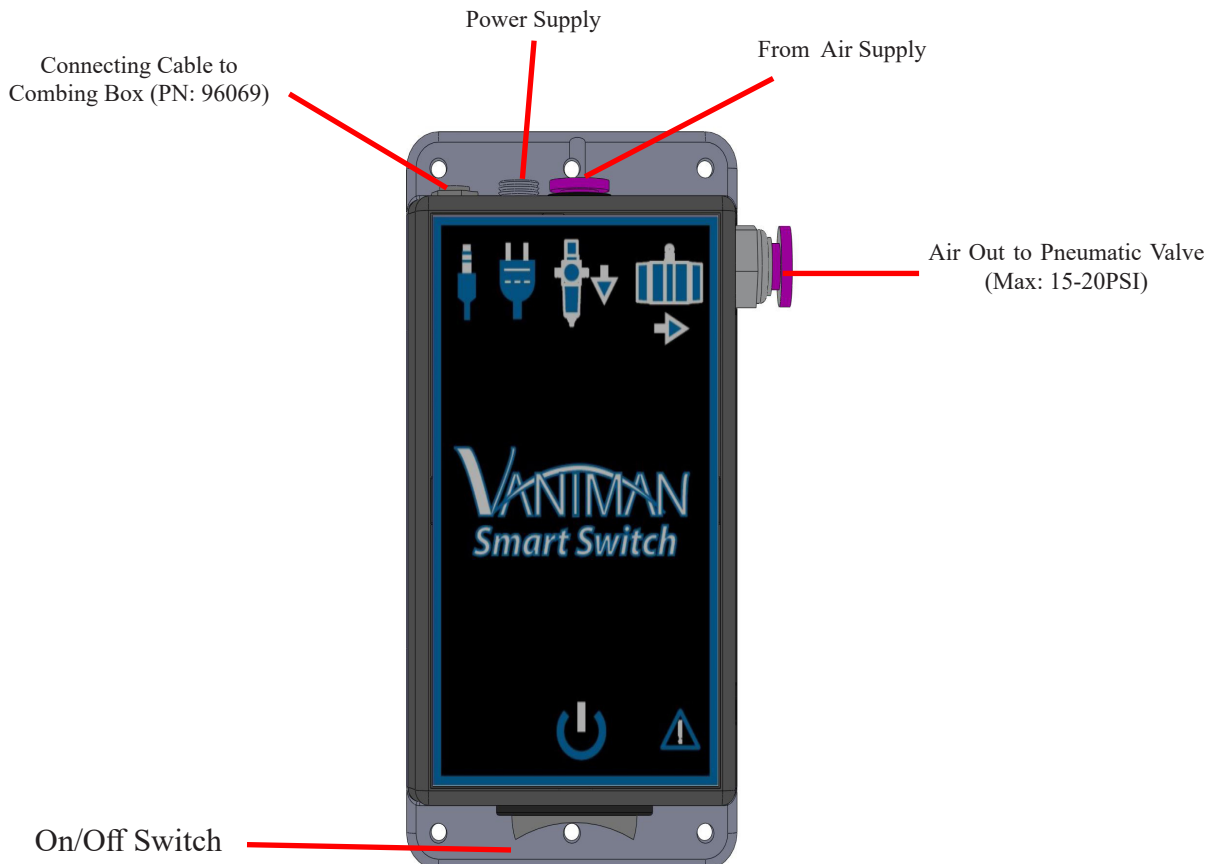
The Smart Switch allows you to control your dust collector and pneumatic valve with the flip of a switch. When you flip the On/Off switch, the dust collector will start automatically and open the pneumatic valve, opening the station.

---

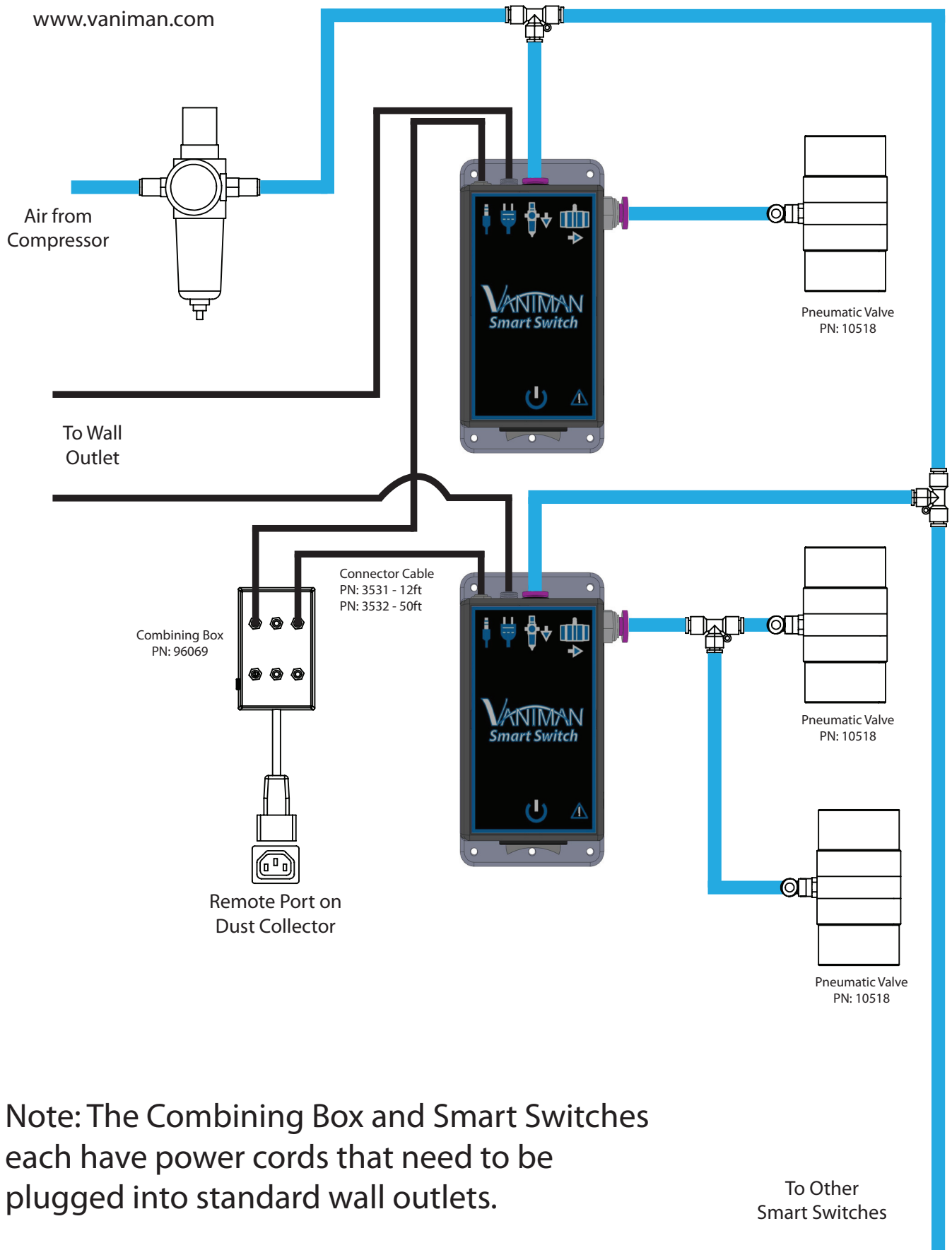
## INSTRUCTIONS

---

Plug the Smart Switch's power supply into an outlet. Plug the connector cable into the jack on the Smart Switch and plug the other end into a Combining Box (PN: 96069). Plug the Combining Box into the remote port on the dust collector. Connect 1/4" OD air tube from an air supply to the quick disconnect on the Smart Switch. Connect a 1/4" tube from the pneumatic valve (PN: 10518) to the quick disconnect located on the side of the Smart Switch. Flip the On/Off switch to the ON position. The dust collector should come on and the pneumatic valve should open. Turn the switch to the OFF position, the dust collector should turn off and the pneumatic valve should close.



# Connection Guide for Smart Switches PN: 96068



Note: The Combining Box and Smart Switches each have power cords that need to be plugged into standard wall outlets.

To Other  
 Smart Switches