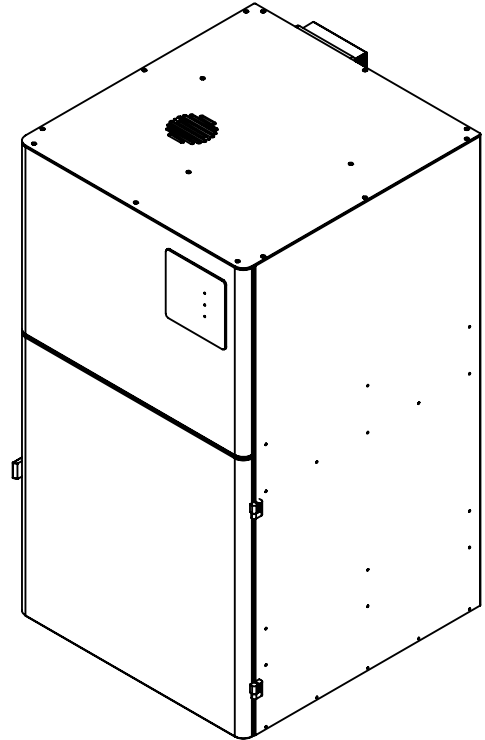

PACKING LIST

- 1 - V-Six SE Dust Collector
- 1 - Power Cord
- 1 or 3 - Port Caps (Dependant on Inlet Plate Model)

IMPORTANT SERVICE INFORMATION:
SAVE SHIPPING BOX AND FOAM FOR FUTURE SERVICE. SHIPPING WITHOUT PROPER FOAM MAY CAUSE DAMAGE TO UNIT



ASSEMBLY INSTRUCTIONS

1. Remove the Unit and other parts from the packaging and check against the packing list above.
2. Open the front door of the unit to access the filter compartment cover plate. Remove the four black thumb screws and remove the cover plate. Locate the wing nut at the bottom of the cartridge filter and check to make sure it has not come loose during shipping. Tighten if necessary.
3. The V-Six requires a dedicated 120 volt, 15 amp, 50/60 Hz. circuit. Plug the removable power cord into the socket on the back of the unit. Plug the other end into a wall outlet that will support the electrical needs, then flip the Main Disconnect Switch on the back of the unit into the *ON* position. Once the unit is supplied power, confirm on the Control Panel (front of unit) that the red *POWER ON/OFF* indicator light is on solid. If the indicator light does not come on after flipping the Main Disconnect Switch to the *ON* position, check that the Power Cord is properly and securely plugged into the unit and the wall.
4. The Air Blast filter cleaning system requires compressed air to operate. Connect a 1/4 inch NPT male connector air fitting to the brass female connector located on the back of the unit. ***DO NOT*** supply more than 100 PSI to unit.

RECOMMENDED USAGE

1. This unit is designed for use with up to six stations simultaneously to collect dry materials. Plumbing and layout is critical for maximum performance, so consult with Vaniman Manufacturing about their Design Center service for your plumbing sizes and layout assistance.
2. The ideal location for the unit is in a well ventilated area, as close as possible to the workstations to be served. The unit requires clearance on all sides and top for adequate air movement to prevent overheating. **DO NOT** fully enclose the unit in a cabinet without consulting the factory first.
3. The inlet plate located on the back of the unit incorporates a vacuum relief valve calibrated at the factory. The V-Six is a high suction dust collector and attempting to adjust this without first consulting the factory may cause damage to the unit.
4. The unit may be used alone or in conjunction with a Vaniman Accumulator pre-filter for every two stations. The Accumulator will trap 90 - 95% of dust and 99.9% of all metal particles in the collection trap before it reaches the unit.
5. The unit is **NOT RECOMMENDED** or warranted for use in moist or wet environments, or to collect wet or moist material. Doing so will immediately void the warranty.

ACCESSORIES

The following items are offered to enhance the usage of your V-Six SE unit. These items can be order through your supplier using the following part numbers. Please feel free to contact Vaniman Mfg. Co. with questions regarding our products.

<u>Item Description</u>	<u>P/N</u>
Large Accumulator	VMC-A300
XL Accumulator	10509
Smart Switch	96068
V6 Standard Remote Hub	96109
V6 Smart Remote Hub	96111
Pneumatic Valve*	10518
Smart AutoPilot	96073

*Additional plumbing parts required. Contact Vaniman for more information.

MAINTENANCE

- 1. Filter Cartridge** - The filter cartridge should be visually inspected for wear on a routine basis. The frequency will depend on the amount of use but inspection once every three months is advised. Before inspecting the filter cartridge, turn the unit off, then press the *FILTER CLEAN* to activate the Air Blast. **DO NOT** press the button when the front door is open. To maintain the highest level of filtration and prevent motor damage, Vaniman recommends the filter be replaced every six months for average usage. When dust begins to pass through the unit or the filter is visibly frayed or worn, it should be replaced immediately.
- 2. Dust Bin** - The Dust Bin will hold approximately three gallons of debris so the frequency of emptying the bin will vary. To empty, open the front door and slide the dust bin out of its housing located at the bottom of the unit. Each time it is emptied, be sure the wing nut on the bottom of the filter is secure.
- 3. Circuit Breaker** - If the unit has an internal electrical problem or the power lines suffered an abnormal surge in power, the Circuit Breaker Switch may trip. Correct the cause of the problem, then reset the Circuit Breaker Switch by flipping the Main Disconnect Switch on the back of the unit OFF, then back ON.
- 4. Thermal Protection** - The high speed turbine drive system in the unit is protected against overload and overheating. In the case that the unit turns off during operation, disconnect the cord, wait 5-15 minutes for the unit to cool down, then re-connect the power. Overheating could be caused by inadequate ventilation. If the unit is in an enclosed space, increase air circulation or ventilation and retry.

OPERATION INSTRUCTIONS

1. With the unit plugged into a wall outlet, and the Main Disconnect Switch flipped into the *ON* position, ensure that the indicator light on the Control Panel is *ON* (see Fig. 1 and “Assembly Instructions” section step #3).
2. To begin suction, press the *START/STOP* button on the Control Panel and the motor will begin running on the lowest speed. The green *MOTOR RUNNING* indicator light will turn on solid.
3. You can increase suction by pressing the *SPEED UP* button to choose which of the 10 available speeds provides the correct amount of suction for your application.
4. Decrease suction by pressing the *SPEED DOWN* button until the proper amount of suction is achieved.
5. To stop suction altogether, simply press the *START/STOP* button again and the motor will stop running and the *MOTOR RUNNING* indicator light will begin flashing again.

Note: When the motor is started and stopped with the *START/STOP* button, it will always return to the speed that was set before the previous stop command. If the unit is disconnected from power entirely, the system’s memory will clear and will start at the lowest motor speed once the unit is reconnected to power.



Fig. 1

6. The V-Six also offers an Air Blast filter cleaning system to help prolong the life of your filter, which can be used either while the motor is idle or running:

- A. **While the motor is idle** - simply press the *FILTER CLEAN* button on the Control Panel and you should hear the Air Blast activate inside of the unit.
- B. **While the motor is running** - at any time while the motor is actively running you can press the *FILTER CLEAN* button and the motor will pause, the Air Blast will activate, and a few seconds afterwards the motor will automatically start running again. Please wait until the filter cleaning process has cycled through and the motor turns back on before pressing any other button.

7. The V-Six has two different run modes - Manual and Remote:

IMPORTANT: Only use Vaniman remotes and switches with this unit to prevent damage and failure of the unit. Use of any non-Vaniman products will void this unit's warranty.

A. **Manual Mode:** Whenever the unit is first supplied power, it will automatically default to Manual Mode.

i. Manual Mode will allow you to start and stop the motor, as well as increase and decrease the motor speed, from the unit's Control Panel **ONLY**.

ii. **Standard Remote Mode:** The Standard Remote feature will only operate while the system is in Manual Mode, and can only turn the unit ON or OFF at the set speed. To use this feature:

- a. With the Main Disconnect Switch OFF, plug in the Standard Remote Hub's headphone jack into the port on the back of the unit labeled *STANDARD REMOTE* (Fig. 2). Plug in up to 6 stations into the ports on top of the *Standard Remote box*.
- b. With the Main Disconnect Switch ON, press the START/STOP button on the Control Panel to start the motor. Increase or decrease the speed of the motor to set the desired suction level. Once you have reached the desired suction level, press the START/STOP button on the Control Panel again to stop the motor.
- c. When a switch at one of the 6 stations is flipped into the *ON* position, the V-Six will run the motor at the speed set by the user in step b. The unit will continue running at the same set speed regardless of how many subsequent stations are turned *ON*.
- d. The V-Six will turn off only once all stations that are plugged into the Standard Remote Hub are turned off.

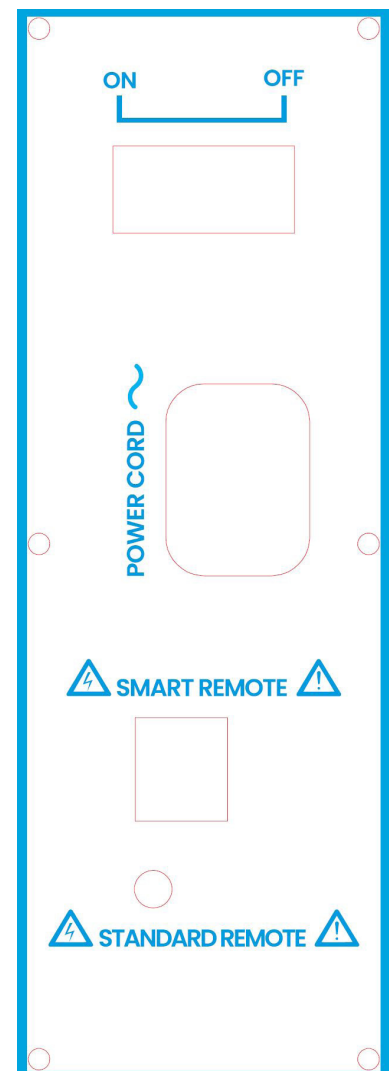


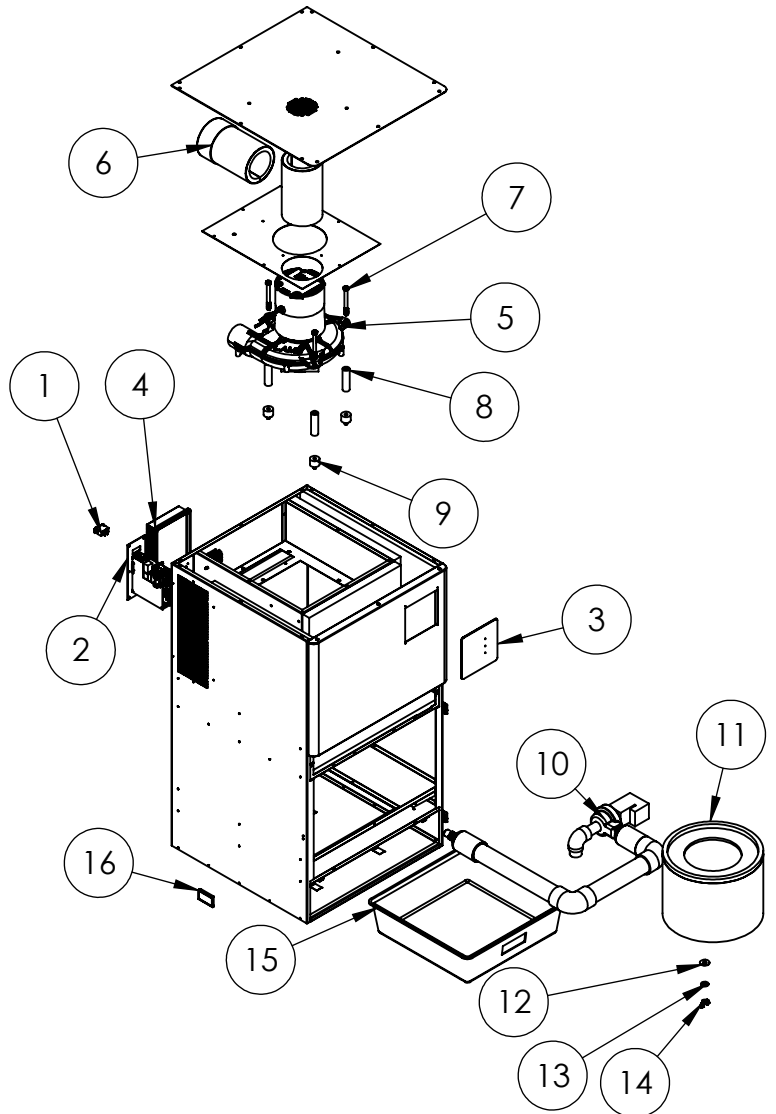
Fig. 2

- B. Smart Remote Mode:** To enable Remote Mode, press the *MANUAL/REMOTE* button on the Control Panel. This will cause the *REMOTE ACTIVE* blue indicator light on the front panel to turn *ON* solid.
- i. V-Six Smart Remote:** Automatically changes the speed of the motor and amount of suction provided to each station based on how many of the stations are open at the same time.
- a. With the Main Disconnect Switch *OFF* plug in one end of the supplied ethernet cable into the port labeled *SMART REMOTE* on back of the V-Six (Fig. 2), and the other end into the V-Six Smart Remote box. Plug in up to 6 stations into the ports on top of the Smart Remote Hub.
 - b. With the Main Disconnect Switch *ON* and no stations turned *ON*, the V-Six will not be running. Once one station is turned *ON*, the unit will start running at a speed that will provide adequate suction for that one station.
 - c. As more stations are used and turned *ON*, the V-Six will automatically speed up the motor to provide adequate suction for the corresponding number of stations that are being used at the time.
 - d. Subsequently, as stations begin to turn *OFF* and less suction is needed, the V-Six will slow the motor down to maintain the proper amount of suction needed for the number of station that are being used at the time.
 - e. When all of the stations that are plugged into the Smart Remote Hub are turned *OFF*, the V-Six will stop running altogether.

REPLACEMENT PARTS

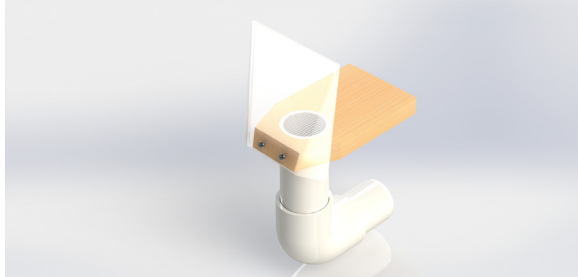
The following items are offered to enhance the usage of your Vaniman unit. These items can be ordered through your supplier using the following part numbers. Please feel free to contact Vaniman Mfg. Co. with questions regarding our products.

Fig. #	Description	Part No.
1	Circuit Breaker Switch	3285
2	Power Module	3304
3	Control Module	3305
4	Cooling Air Filter	2511
5	Brushed Motor Assembly	97107
6	Muffler	3203
7	Bolt, 5/16-18 x 3.25"	3202
8	Standoff	2911
9	Motor Mount	3057
10	Air Solenoid	Contact Vaniman
11	Filter	96017
12	Rubber Washer	1783
13	Washer	2868
14	Wing Nut	2847
15	Dust Pan	3236
16	Door Latch	3040
Not Shown	Power Cord	3006
Not Shown	Communication Ribbon Cable	3322
Not Shown	Replacement Brush Kit	97091

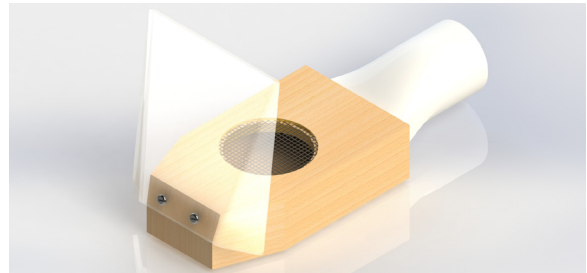


DUST COLLECTION ACCESSORIES

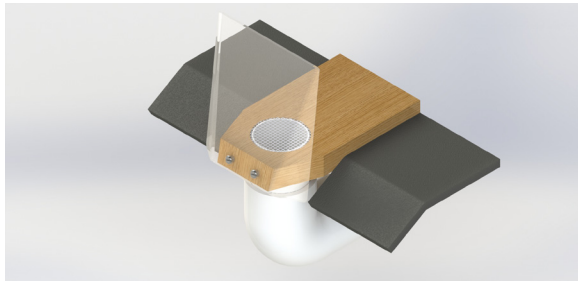
Jet Port - VMC-A440



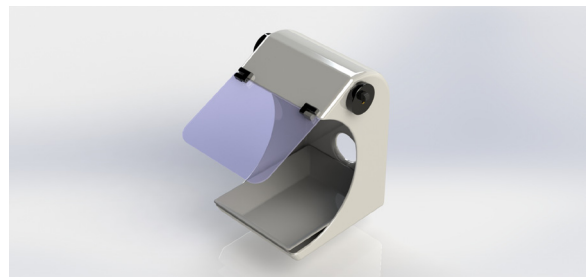
Mobile Jet Port - VMC-A442



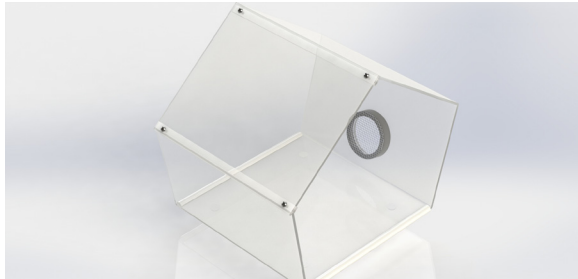
Jet Port w/ Comfort Zone - VMC-A441



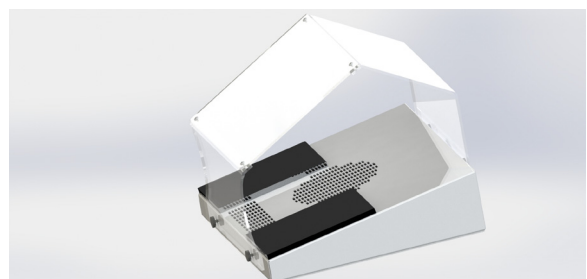
Splash Hood - 96045



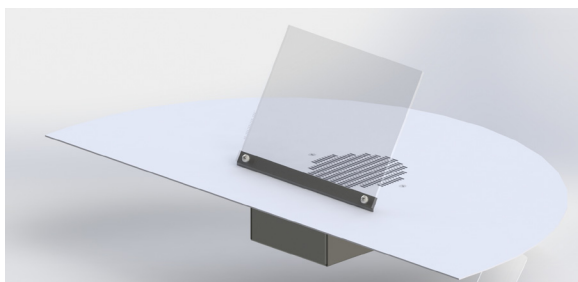
Polyguard II - VMC-A398



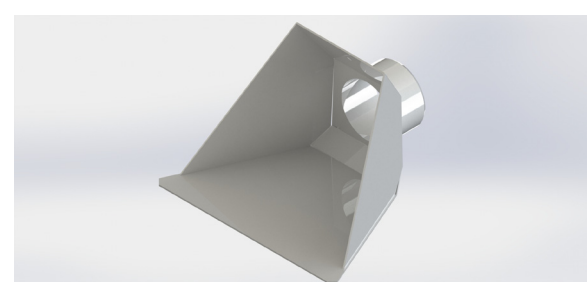
Downdraft - 96044



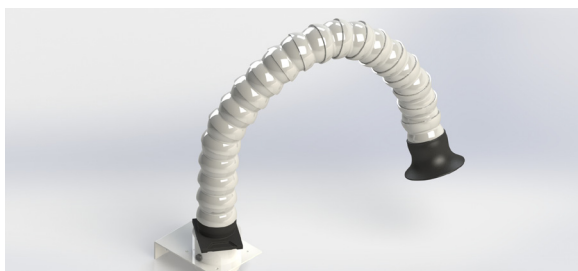
Downdraft Pro - 96060



Fishmouth - VMC-A395



Flexhose Kit - 96026



Cut & Clean - 80074

