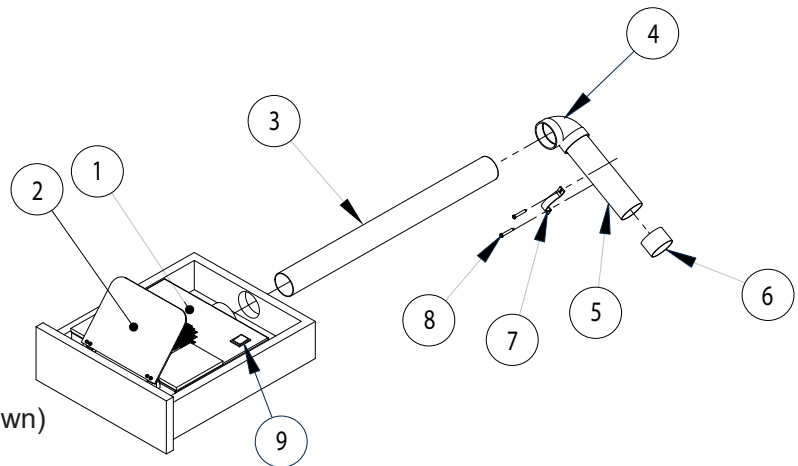


PACKING LIST

- 1 - Downdraft Drawer Unit (1)
- 1 - Replaceable Shield, 96049 (2)
- 1 - 2" Vac Line, 23 inches, (3)
- 1 - 2" Vac Line Elbow (4)
- 1 - 2" Vac Line, 7 inches (5)
- 1 - 2" Vac Line Coupling (6)
- 1 - 2" Pipe Strap (7)
- 2 - #10 Self Tapping screw (8)
- 1 - Optional remote switch (9)
- 4 - Low profile feet (not shown)
- 4 - Adjustable feet (not shown)
- 1 - Optional PVC extension (not shown)
- 1 - Extra Gasket Strip (not shown)



ASSEMBLY INSTRUCTIONS

1. Remove the unit and other contents from the box and check against the packing list.
2. Place the unit in the drawer to determine the desired working height, making sure the shield clears the drawer face frame when closing. (Note: The two sets of feet included may or may not be used to adjust the height.)
3. Slide the Downdraft to the back of the drawer and with a pencil make a mark on the back panel of the drawer, even with the top of the Vac Line sleeve located on the back of the Downdraft. Measure down from that mark 1 5/8" to determine the center of the 2 1/4" access hole.
4. Use a 2 1/4" key hole saw bit to drill the Vac Line access hole through the back panel of the drawer.
5. To determine the length of the Vac Line, (3), measure the distance from where items 4 and 5 are to be secured, typically inside of the back panel of the base cabinet, to the front of the Downdraft which should be in its final operating position inside the drawer. Subtract 2 1/2" from the measurement to account for the depth of the elbow, (4). Cut the Vac Line to length.
6. Slide the Vac Line, (3), through the back of the drawer and into the Downdraft making sure the Vac Line butts up against the foam at the front of the unit. Slide the elbow, (4), onto the Vac Line and close the drawer. From below the drawer make sure the elbow is flush with the mounting surface without shifting the position of the downdraft inside the drawer. Minor adjustments to the Vac Line length or the operating position of the Downdraft may need to be made to ensure proper drawer closing.
7. If the drawer is not able to extend far enough away from the countertop, use the optional PVC extension piece to the port on the pack of the unit. If the extension is not needed, place the provided gasket strip into the unit's port. Use the extension as an example of how to install.
8. Use PVC cement to secure the elbow and Vac Line, (5), to the main Vac Line. Close the drawer and position the pipe strap, (7), around Vac Line, (5), and mark each hole on the mounting surface. Drill two pilot holes and secure the Pipe Strap and Vac Line to the mounting surface with the screws supplied.
9. Slip the Vac Line coupling, (6), over the short Vac Line if the dust collector being used has a 1 3/4" hose end (eg: Vanguard 1X). If the flexible hose is a 2 1/2" type, use Vaniman part number 96039 adapter with the coupling. If the Downdraft is being connected to a central dust collection system the coupling would not be used.