



---

## 1. CONDITIONS FOR USE

*This micro abrasive blaster may only be operated:*

- Indoors;
- Below 1981 m (6500 ft) above sea level altitude;
- Ambient air temperature between 40°-105°F (5-40°C);
- Maximum relative humidity of 80% at 31°C (88°F);
- Power supply current fluctuations does not exceed 10% of nominal value;
- Under level 2 contamination conditions;
- Supply cool, dry air only, at a maximum pressure of 10.3 Bar (150 PSI).

---

## 2. SAFETY



**WARNING:** Read all safety warnings, instructions, illustrations and specifications provided with this power tool. Failure to follow all instructions listed below may result in electric shock, fire and/or serious injury.

**Save all warnings and instructions for future reference.**

The term "power tool" in the warnings refers to your mains-operated (corded) power tool or BATTERY-operated (cordless) power tool.

### 1. Work area safety:

- Keep work area clean and well lit.** Cluttered or dark areas invite accidents.
- Do not operate power tools in explosive atmospheres, such as in the presence of flammable liquids, gases or dust.** Power tools create sparks which may ignite the dust or fumes.
- Keep children and bystanders away while operating this power tool.** Distractions can cause you to lose control.

### 2. Electrical Safety:

- Power tool plugs must match the outlet. Never modify the plug in any way. Do not use any adapter plugs with earthed (grounded) power tools.** Unmodified plugs and matching outlets will reduce risk of electric shock.
- Avoid body contact with earthed or grounded surfaces, such as pipes, radiators, ranges and refrigerators.** There is an increased risk of electric shock if your body is earthed or grounded.
- Do not expose power tools to rain or wet conditions.** Water entering a power tool will increase the risk of electric shock.
- Do not abuse the cord. Never use the cord for carrying, pulling or unplugging the power tool. Keep cord away from heat, oil, sharp edges or moving parts.** Damaged or entangled cords increase the risk of electric shock.

- e. **When operating a power tool outdoors, use an extension cord suitable for outdoor use.** Use of a cord suitable for outdoor use reduces the risk of electric shock.
- f. **If operating a power tool in a damp location is unavoidable, use a RESIDUAL CURRENT DEVICE (RCD) protected supply.** Use of an RCD reduces the risk of electric shock.

### **3. Personal Safety**

- a. **Stay alert, watch what you are doing and use common sense when operating a power tool. Do not use a power tool while you are tired or under the influence of drugs, alcohol or medication.** A moment of inattention while operating power tools may result in serious personal injury.
- b. **Use personal protective equipment. Always wear eye protection.** Protective equipment such as dust mask, non-skid safety shoes, hard hat, or hearing protection used for appropriate conditions will reduce personal injuries.
- c. **Prevent unintentional starting. Ensure the switch is in the off-position before connecting to power source and/or BATTERY pack, picking up or carrying the tool.** Carrying power tools with your finger on the switch or energizing power tools that have the switch on invites accidents.
- d. **Remove any adjusting key or wrench before turning the power tool on.** A wrench or a key left attached to a rotating part of the power tool may result in personal injury.
- e. **Do not overreach. Keep proper footing and balance at all times.** This enables better control of the power tool in unexpected situations.
- f. **Dress properly. Do not wear loose clothing or jewelry. Keep your hair, clothing and gloves away from moving parts.** Loose clothes, jewelry or long hair can be caught in moving parts.
- g. **If devices are provided for the connection of dust extraction and collection facilities, ensure these are connected and properly used.** Use of dust collection can reduce dust-related hazards.
- h. **Do not let familiarity gained from frequent use of this tools allow you to become complacent and ignore tool safety principles.** A careless action can cause severe injury within a fraction of a second.

### **4. Power tool use and care:**

- a. **Do not force the power tool. Use the correct power tool for your application.** The correct power tool will do the job better and safer at the rate for which it was designed.
- b. **Do not use the power tool if the switch does not turn it on and off.** Any power tool that cannot be controlled with the switch is dangerous and must be repaired.
- c. **Disconnect the plug from the power source and/or remove the BATTERY pack, if detachable, from the power tool before making any adjustments, changing accessories, or storing power tools.** Such preventive safety measures reduce the risk of starting the power tool accidentally.

**ENGLISH**

- d. **Store idle power tools out of the reach of children and do not allow persons unfamiliar with the power tool or these instructions to operate the power tool.** Power tools are dangerous in the hands of untrained users.
  - e. **Use the power tool, accessories and tool bits etc. in accordance with these instructions, taking into account the working conditions and the work to be performed.** Use of the power tool for operations different from those intended could result in a hazardous situation.
  - f. **Keep handles and grasping surfaces dry, clean and free from oil and grease.** Slippery handles and grasping surfaces do not allow for safe handling and control of the tool in unexpected situations.
- 5. Service**
- a. **Have your power tool serviced by a qualified repair person using only identical replacement parts.** This will ensure that the safety of the power tool is maintained.

---

**3. SPECIAL ATTENTION TO THIS PRODUCT**

---

- Unplug equipment from the wall before changing out the LED light. Do not squeeze or bend the light tube. Always wear gloves or use a towel to protect your hands from glass splinters.
- Always disconnect the unit from the compressed air and power sources before beginning any maintenance.
- Any abrasive material on the o-ring may lead to leakage and early wear of the o-ring. After filling, clean the thread and o-ring before applying the lid.
- Solvents will create cracks in the jar and weaken the jar (danger of explosion!). Clean the lid and tank only with a dry cloth. Do not write or adhere anything to the jar or lid.
- Check for damages on the lids and tanks regularly and replace them if there is any doubt of the structural integrity.
- Before operation, check to make certain the lid is secured properly. Using the product without the lid secured will create a serious explosive hazard.
- Never operate the blasting units without suitable dust extraction and appropriate protective gear. The type of dust extraction should be based on the type dust generated. Ask the proper authorities.
- Never direct the blasting material towards eyes or unprotected areas of skin. Improper use can result in risk of eye or skin injuries.
- Never work with the glass door open.
- Do not depress the foot switch when only the compressed air supply hose is connected. The loose hose could wrap around itself and cause serious injury.
- Maintain equipment and accessories. Check for breakage of parts and any other condition that may affect the equipment's operation.

**ENGLISH**

- The triangular light symbol labelled on the light indicates that the user should not look directly into the light and that doing so may cause eye damage.



- Please note that correct use requires reference to this manual and that the following label indicates that the user should reference this manual prior to operation.



---

#### **4. LIABILITY EXCLUSION**

---

*Vaniman Manufacturing shall be absolved from all claims for damages and warranty if:*

- The product is used for any purpose other than it was designed for.
- The product is altered in any way other than those described in the operating instructions.
- The product is repaired by anybody other than an authorized facility or if any parts other than Vaniman OEM parts are used.
- The product continues to be employed, despite obvious safety faults.

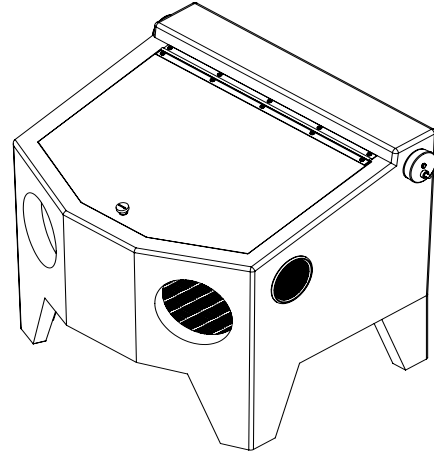
---

## PACKING LIST

---

- 1 - SandShell unit
- 1 - Sample Static Cling Protector Shield
- 1 - DC Power Supply

**IMPORTANT SERVICE INFORMATION:**  
SAVE SHIPPING BOX AND FOAM FOR FUTURE SERVICE. SHIPPING WITHOUT PROPER FOAM MAY CAUSE DAMAGE TO UNIT.



---

## ASSEMBLY INSTRUCTIONS

---

1. Remove all packing material
2. Plug DC Power Supply into electrical outlet then into the side of the light.
3. Install the Protective Shield on the inside of the viewing window by following the steps under "Window" section on page 6. (Additional shields are available from your supplier.)
4. Pour blasting media into the chamber beneath the metal screen. Refill as necessary to provide adequate media for the suction tube.
5. Attach your air supply line to the 1/4" NPT fitting on the black plastic air line on the unit. You may want to use a quick disconnect fitting to hook up to your shop air line. Your air compressor needs to supply at least 5 cfm at 60 to 80 psi.
6. Turn on the light by turning the knob on the right side of the SandShell.
7. Prior to use, make sure the viewing window is securely locked, with the arrow pointing down.
8. If desired, connect dust collector to back of unit for maximum visibility.

---

## MAINTENANCE

---

Vaniman blasters are designed to be low maintenance. However, as the materials used in a microblaster are abrasive by design, components do wear out. A few minor areas should be maintained regularly for a long product life.

**Handpieces Hoses:**

Check handpiece hoses for wear regularly. When hose feels thin or holes develop, the tubing should be replaced.

**Handpiece Tip Installation:**

To replace the handpiece blasting tip, unscrew the captive nut on the tip end of the handpiece. Once removed, the blasting tip should easily come out of the handpiece and discard the used tip. With the handpiece pointing toward the ceiling, place the short end of the blasting tip into the handpiece, slide the captive nut over the blasting tip and screw onto the handpiece until snug. The blasting tip should now be secure and ready for use.

**Window:**

Included with the unit is a free "Static-Cling" blasting shield for the inside of the window. These are inexpensive protection for the viewing clarity of the window. To install:

- a. Place one edge on blaster window and progressively lie shield on glass taking care to minimize bubbles and wrinkles. The correct side of the shield is the side that the Vaniman logo is readable from the front of the blaster.
- b. Use a credit card or similar object to sweep bubbles out of protector. If you used water or glass cleaner for the application, use a credit card or similar to sweep remaining moisture out of the window and repeat until all bubbles and excess moisture are gone. Let shield sit for 24 hours for the remaining liquid to evaporate for crystal clear results.

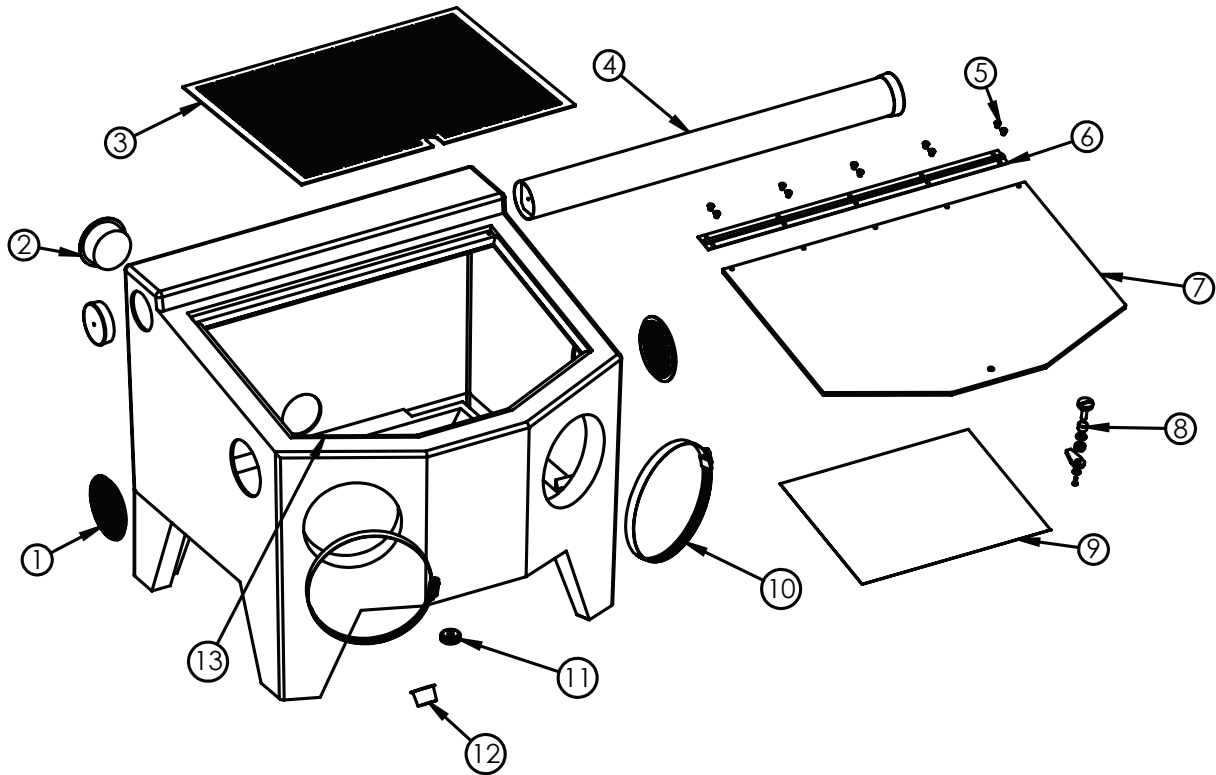
**Moisture:**

If moisture causes the media to clump or cake in the tanks, improper media flow will result. Be sure the air supply is relatively oil and moisture free. Installation of a heavy duty air filter/dryer between the air supply and unit may be required.

**BLASTER MATERIAL**

Material	Size	Part Number			Applications
		55lbs.	15lbs.	One Tank	
Aluminum Oxide	25µm	98201	97921	97935	Fine surfacing of metal and other hard materials.
	50µm	97927	97922	97936	Deburring and deflashing of metals and other hard materials.
	100µm	98202	97923	97937	Aggressive removal of materials, semi-rough finished surface.
	250µm	98203	97924	97938	Bulk removal or surface cleaning of tough materials. Rough surface preparation.
Glass Bead	50µm	98204 (50 lbs)	97925	97939	Smoothing/polishing. Cleans and polishes without removing material.
Sodium Bicarbonate	50-100µm	98206 (50 lbs.)	97934	98200	Aggressive removal of materials, water soluble and does not embed into the material.
Walnut Shell	250µm	97931 (50 lbs.)	-	-	Organic, used for cleaning purposes.
	100µm	98207 (50 lbs.)	97932	-	
	50µm	-	97933	-	

**SANDSTORM SANDSHELL**



1	2613	Vent	Ventilador	Ventilateur	Vent	Sfogo
2	1751	Blue Plug	Enchufe azul	Fiche bleue	Blauer Stecker	Tappo Blu
3	2711	Floor Screen	Pantalla de Piso	Ecran de sol	Bodensieb	Schermo a terra
4	97969	LED Light Assembly	Conjunto de luces LED	Ensemble d'éclairage à LED	LED-Leuchte	Gruppo Luce LED
5	2609	Screw	Tornillo	Vis	Schraube	Vite
6	2712	Window Bracket Assembly (with window)	Ensamblaje del Soporte de Ventana (con vidrio)	Ensemble support fenêtre (avec vitre)	Fensterhalterungsbaugruppe (mit Fenster)	Gruppo staffa della finestra (con vetro)
7	2606A	Replacement Window	Vidrio de la Ventana de Reposición	Vitre de rechange fenêtre	Ersatzfenster	Vetro della finestra sostitutivo
8	2025 & 2026	Latch and Spacer	Pestillo y espaciador	Serrure et entretoise	Verriegelung und Distanzstück	Chiavistello e Distanziale
9	97951	Static Cling (12-pack)	Escudo (paquete de 12)	Bouclier (paquet de 12)	Shield (Paket von 12)	Scudo (pacchetto di 12)
10	1413	Glove Clamp	Abrazadera de guante	Gant de serrage	Handschuh Schelle	Fascetta metallica con morsetto
-	97944	Gloves (pair)	Par de Guantes	Gants (paire)	Handschuhe (Paar)	Guanto (paio)
11	2005	Grommet	Pasamuros	Oeillet	Gummitülle	Passacavo
12	2608	Red Plug	Enchufe rojo	Fiche rouge	Roter Stecker	Tappo Rosso
13	2030B	Window Gasket Kit	Kit para Junta de Ventanas	Kit joint statique fenêtre	Fensterdichtungssatz	Kit guarnizione finestra
-	98103	Siphon Gun	Sifón	Pistolet de Siphon	Siphon	Sifone
-	98102	Ceramic Blasting Tip	Punta de chorreo de cerámica	Embout de sablage céramique	Keramik Strahlmittel Tipp	Punta Sabbiante in Ceramica
-	2725	Steel Blasting Tip	Punta de chorreo de acero	Embout de projection de l'acier	Stahlstrahlen Tipp	Punta Sabbiante in Acciaio