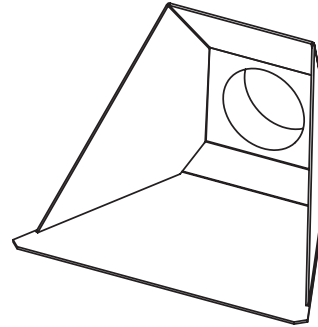


PACKING LIST

- 1 - Fishmouth
- 1 - Adapter (VMC-1006A)



ASSEMBLY INSTRUCTIONS

1. Remove the Fishmouth and other parts from the packaging and check against the packing list.
2. Insert Adapter into the collecting port if needing to connect to 1.5" Grey Hose (see picture below).

RECOMMENDED USAGE

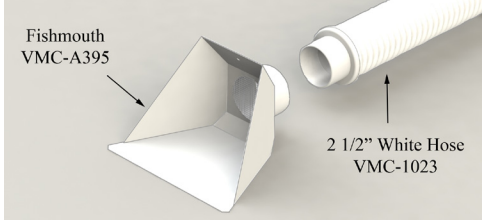
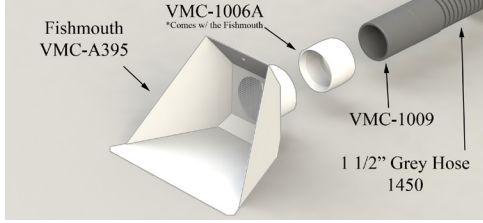
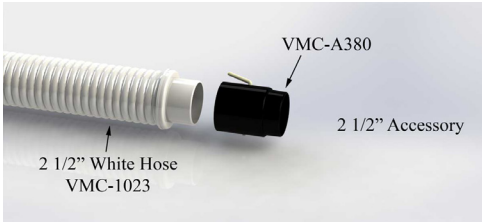
1. The Fishmouth with Flex Shield is a work surface dust collector accessory that provides effective dust containment and removal. The Fishmouth is recommended for use with the Vanguard Gold 2X or Voyager dust collectors.

ACCESSORIES & REPLACEMENT PARTS

Shut-off Valve

P/N: VMC-A380

ADAPTER GUIDE

2 1/2" White Hose (VMC-1023)	1 1/2" Grey Hose (1450) w/ VMC-1009 end
Fishmouth	
None 	VMC-1006A *Comes w/ the Fishmouth 
Shut Off Valve VMC-A380	
None 	VMC-1006A *Comes w/ the Fishmouth 