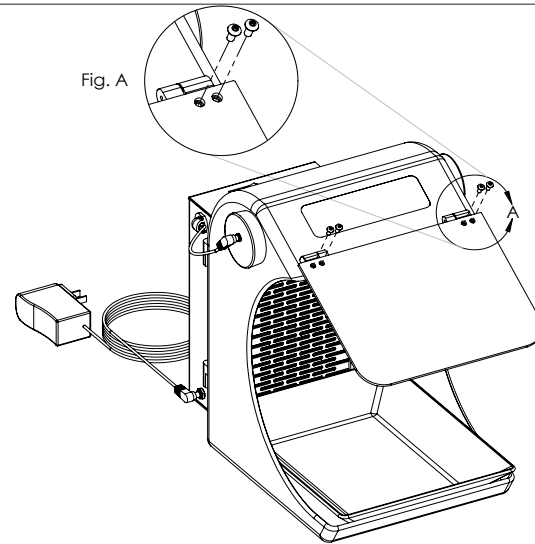


---

## PACKING LIST

---

- 1 - Splash-Vac
- 1 - Dust Pan
- 1 - Replaceable Shield (96049)
- 4 - Black Screws
- 1 - Hex wrench
- 1 - DC Power Supply



---

## ASSEMBLY INSTRUCTIONS

---

1. Remove the Unit and other parts from the box and check against the packing list.
2. Align replacement shield with hinges.
3. Hold shield onto hinges and thread screw into hinge with washer through holes and tighten with hex wrench (see Fig A).

---

## OPERATION

---

1. Plug in the DC power supply into any standard wall outlet.
2. Check the fan outlet is plugged into the light assembly.
3. The light and mini-vac switch can be found on the top and of the fan housing.

---

## MAINTENANCE

---

1. Periodically check the condition of the filter in the mini-vac. Open the door latch to remove and clean the filter. Replace if necessary.
2. If the shield needs to be replaced, remove and replace with part number below.

---

## REPLACEMENT PARTS

---

Replacement Shield	96049
Replacement LED Board	98106
Replacement Filter	2511