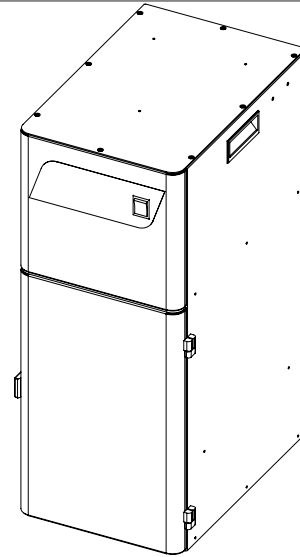

PACKING LIST

- 1 - StoneVac II
- 1 - 2½" x 6' Hose
- 1 - Plastic Disposal Bag
- 1 - Power Cord

IMPORTANT SERVICE INFORMATION:
SAVE SHIPPING BOX AND FOAM FOR FUTURE SERVICE. SHIPPING WITHOUT PROPER FOAM MAY CAUSE DAMAGE TO UNIT



INSTRUCTIONS

1. Remove the unit and other parts from the box and check against the packing list. Remove the hose from inside the dust bin as well as any protective paper packing material.
2. Plug the power cord into a standard wall socket. Try the StoneVac II by pushing the switch to the "ON" position.
3. The vacuum hose supplied slips onto the vacuum connection in the back of the unit and the other end connects to the collection device desired. The ideal location for the StoneVac II is under the bench where the user works. The single station hose supplied is 2½" x 6' long and accords to the desired length. Hose extensions and adaptors are available from your dealer. We recommend, however, that you try to keep the total length of hose less than 6 feet between the StoneVac II and the dust collection point; longer hose will reduce suction.

MAINTENANCE

1. **Cleaning the Filter** - When a noticeable drop in suction occurs in the unit, it is time to clean the filter. To use the self-cleaning feature of the StoneVac II, push and hold the Power switch in the "CLEAN" position for several seconds. Optimum cleaning takes place within 5 seconds. For best results, wait an additional 10-15 seconds with the Power switch in the "OFF" or center position, this allows the dust cleaned from the filter to fall into the dust bin before turning the unit on again.
2. **Emptying the Dust Bin** - Depending on usage, the unit will need to be emptied at different intervals. To check the level of dust in the bin, open the door and observe the dust level. To empty, open the door and slide the bin from the unit. Pull the edges of the bag together to close the bag for disposal. Replace the bag with a Vaniman replacement and carefully slide the dust bin back into the unit. Replacement bag re-order number **P/N 97002** (pack of 12).

- 3. Replacing the Filter Cartridge** - Regularly check the filter to make sure it is secure and properly seated against the filter mounting/sealing plate. Periodically, the filter cartridge will become worn or clogged beyond the use of the "CLEAN" feature. In cases when dust collector usage is heavy, changing interval may be as frequent as 3-6 months. To replace the filter, follow the instructions above to remove and empty the dust bin. With the dust bin removed, reach underneath the Filter Cartridge and unscrew the filter retaining nut. Remove the nut and washers and pull the filter downward then forward out of the unit. Replace the filter with a new filter cartridge then reverse removal instructions for proper installation. Filter Cartridge re-order **P/N 97001**.

NOTE: Be sure to replace the rubber washer **FIRST** and the metal washer **SECOND**. Securely fasten the filter retaining nut. Improper installation may cause dust to pass into the air.

- 1. Electrical Protection** - The StoneVac II is protected by a circuit breaker. If the unit is plugged in and does not operate, check to see if the circuit breaker was activated by inspecting it on the back of the unit where the power cord enters the unit. If the circuit breaker was activated, push the button in the center to reset it. If the unit still does not operate, contact your dealer or call the factory at 1-800-VANIMAN for technical assistance.

RECOMMENDED USAGE

1. Individual work station (2½" hose) or dry model trimmer dust collection for trimming or grinding Die Stone. While the StoneVac II was designed specifically for Die Stone, it will also handle other dust developed at the same workstation such as alloy, porcelain, and acrylic.
2. The StoneVac II can be used with abrasives or micro-blasters. If used for this application, it is important that the filter be serviced or replaced regularly. Additionally, Vaniman's Pre-Filter/Accumulator helps capture abrasive before it reaches the dust collector, increasing the life of the filter.

Large Accumulator - **P/N VMC-A300**

REPLACEMENT PARTS

The following items are offered to enhance the usage of your quality Vaniman unit. These items can be ordered through your supplier using the following part numbers. Please feel free to contact Vaniman Mfg. Co. with questions regarding our products.

Fig. #	Description	Reorder Part Number
1	Replacement Shaker Motor	97003
Not Shown	Shaker Clamp	3526
2	Wing Nut	2847
3	Washer	2868
4	Rubber Washer	1783
5	Replacement Filter (includes rubber washer)	97001
6	Remote Plug	1427
7	Power Connector	3010
8	Circuit Breaker, 15Amp	2869
9	Top Panel Screw, 6-32 x 3/8" FHMS	3005
10	Motor Plate Screw, 6-32 x 1/2" Pan MS	2080
11	Replacement Motor - Yellow Dot	97093
Not Shown	Motor Brushes Kit - Yellow Dot	*Contact Vaniman for Information*
12	Switch ON/OFF/CLEAN	3282
Not Shown	Protective Switch Cover	1003B
13	Door Latch	3040
14	Door Gasket	97150
Not Shown	Power Cord	3006

