

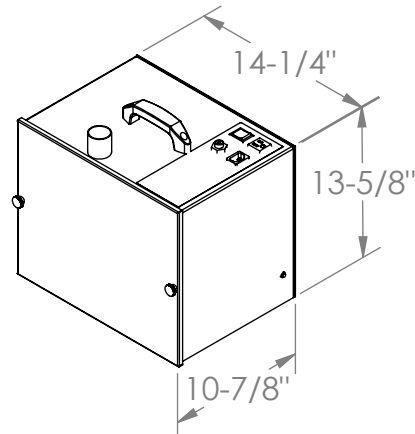
---

## PACKING LIST

---

- 1 - Abrasive Vac unit
- 1 - Power Cord
- 1 - Foot Remote (1443)
- 1 - 2½" x 6' Hose with 1½" Hose End (VMC-1023B)

**IMPORTANT SERVICE INFORMATION:**  
SAVE SHIPPING BOX AND FOAM FOR FUTURE SERVICE. SHIPPING WITHOUT PROPER FOAM MAY CAUSE DAMAGE TO UNIT



---

## ASSEMBLY INSTRUCTIONS

---

1. Remove the unit and all additional parts from the two boxes. **Check** against the packing list.
2. Assemble the three foot hose with 1/2" hose end (VMC-1023B) to the vacuum unit and the other end to the accessory. For 2-1/2" hose connection, remove the grey hose end and use the remaining white hose connector.
3. Plug the removable power cord into the socket on the top of the SandVac then plug the other end into a standard 110 Volt wall socket. Connect the black remote switch tube to the black remote switch connector on the unit; test by turning the power switch on or by pressing the remote switch.

---

## MAINTENANCE

---

1. **Filter Bag Replacement** - When a noticeable drop in suction occurs in the unit or it shuts down, it may be time to replace the filter bag. Remove the thumb screws on the front of the unit to remove the front cover plate exposing the filter bag. Remove the filter bag by sliding it off the inlet tube; the front of the cardboard reinforcement may need to be tilted downward slightly to remove the bag easily. Check the inside of the filter bag compartment, if dust is present please clean the compartment. Cause for residual dust may be the filter bag had been improperly installed. Vacuum out any dust before putting in a new bag, this will increase the life of the unit. Filter bag re-order number is **VMC-A400-5**, which can be ordered through your supplier.
2. **Installing a new filter bag** - Slip the cardboard reinforcement, with rubber seal, over the inlet tube. Tilt the front of the cardboard downward and slip the back edge up past the tube end; then rotate upward over the tube end. Then carefully tuck the edges of the filter bag into the filter bag compartment. Replace the cover plate and gently tighten the screw knobs. Only gentle pressure need be used to make the gasket seal as the vacuum pressure will draw the cover tightly.

**CAUTION:** Operating the vacuum with a plugged filter bag can cause permanent damage to the motor.

3. **Circuit Protector** - The unit is protected by a circuit breaker. Push in to reset.
4. For other maintenance problems or questions consult your dealer or call 1-800-VANIMAN and ask for SERVICE.

---

## **RECOMMENDED USAGE**

---

To evacuate the blasting dust from an abrasive blaster such as aluminum oxide and silica sand.

---

## **ACCESSORIES & REPLACEMENT PARTS**

---

The following items are offered to enhance the usage of your quality Vaniman unit. These items can be order through your supplier using the following part numbers. Please feel free to contact Vaniman Mfg. Co. with questions regarding our products.

<i><b>Item Description</b></i>	<i><b>P/N</b></i>
Filter Bags (Pack of 5)	VMC-A400-5
Filter Bags (Pack of 3)	VMC-A400-3
Air Foot Pedal	1443
Air Switch	1442
Motor (120V)	97030
Motor (230V)	97032

Works great with our sand blasting units. If you have questions regarding our blasting units please contact Vaniman Mfg. Co. or your supplier for our full line. You can also see our products on [www.vaniman.com](http://www.vaniman.com).