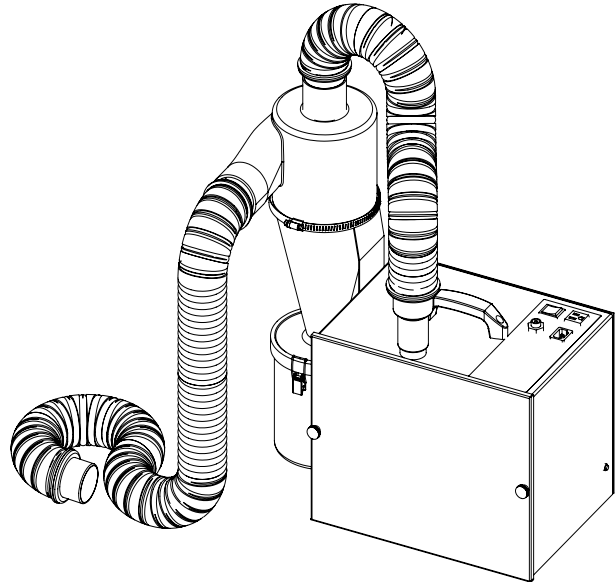

PACKING LIST

- 1 - AbrasiveVac unit
- 1 - Power Cord
- 1 - Foot Remote
- 1 - Pre-Filter/Accumulator
- 1 - 2½" x 3' Hose with 1½" Hose End
- 1 - 2½" x 6' Hose with 1½" Hose End

IMPORTANT SERVICE INFORMATION:
SAVE SHIPPING BOX AND FOAM FOR FUTURE SERVICE. SHIPPING WITHOUT PROPER FOAM MAY CAUSE DAMAGE TO UNIT



ASSEMBLY INSTRUCTIONS

1. Remove the unit and all additional parts from the two boxes. **Check** against the packing list.
2. Mount the Accumulator angle bracket on the side of the vacuum unit as shown by using the two screws provided. Assemble the Accumulator to the bracket with the circular clamp provided. Rotate the Accumulator to best route the hose then tighten the clamp.
3. Assemble the three foot hose, with the 1½" hose end, to the vacuum unit and the other end to the top of the Accumulator. Gently rotate and push the hose end into the black foam gasket. If the hose has difficulty connecting to the Accumulator, moisten the foam gasket with a small amount of water; the water will help ease the hose into place. Connect the other hose from the side of the Accumulator to the abrasive blaster. Use the grey hose end to connect to the Vaniman Sandstorm series or ports of 1½". For 2½" hose connections, remove the grey hose end and use the remaining white hose connector.
4. Plug the removable power cord into the socket on the top of the AbrasiveVac then plug the other end into a standard 110 Volt wall socket. Connect the black remote switch tube to the black remote switch connector on the unit; test by turning the power switch on or by pressing the remote switch.

MAINTENANCE

1. **Filter Bag Replacement** - When a noticeable drop in suction occurs in the unit or it shuts down, it may be time to replace the filter bag. Remove the thumb screws on the front of the unit to remove the front cover plate, exposing the filter bag. Remove the filter bag by sliding it off the inlet tube; the front of the cardboard reinforcement may need to be tilted downward slightly to remove the bag easily. Check the inside of the filter bag compartment, if dust is present please clean the compartment. Cause for residual dust may be the filter bag had been improperly installed. Vacuum out any dust before putting in a new bag, this will increase the life of the unit. Filter bag reorder number is **VMC-A400-5**, which can be ordered through your supplier.
2. **Installing a new filter bag** - Slip the cardboard reinforcement, with rubber seal, over the inlet tube. Tilt the front of the cardboard downward and slip the back edge up past the tube end; then rotate upward over the tube end. Then carefully tuck the edges of the filter bag into the filter bag compartment. Replace the cover plate and gently tighten the screw knobs. Only gentle pressure need be used to make the gasket seal as the vacuum pressure will draw the cover tightly.

CAUTION: Operating the vacuum with a plugged filter bag can cause permanent damage to the motor.

3. **Empty Accumulator Cup** - The accumulator has a cup on the bottom held in place with two toggle latches. The majority of dust collected will fall into this cup. Empty when $\frac{1}{2}$ full; it is recommended to *empty the cup DAILY*. Turn the unit off before removing the cup. Gently tap the sides of the Accumulator to shake down dust into the cup. Hold the collection cup with a hand on each side directly below the toggle latches. With your index fingers, flip the toggles upward and then swing the wire bales outward. Lower the cup and empty the contents. Replace the cup onto the bottom of the Accumulator, swing the wire bales over the bottom rim of the Accumulator and snap the toggle latches down to secure the cup in place.
4. **Circuit Protector** - The unit is protected by a circuit breaker. Push in to reset.
5. For other maintenance problems or questions consult your dealer or call 1-800-VANIMAN and ask for SERVICE.

RECOMMENDED USAGE

To evacuate the blasting dust from an abrasive blaster such as aluminum oxide and silica sand.

ACCESSORIES & REPLACEMENT PARTS

The following items are offered to enhance the usage of your quality Vaniman unit. These items can be order through your supplier using the following part numbers. Please feel free to contact Vaniman Mfg. Co. with questions regarding our products.

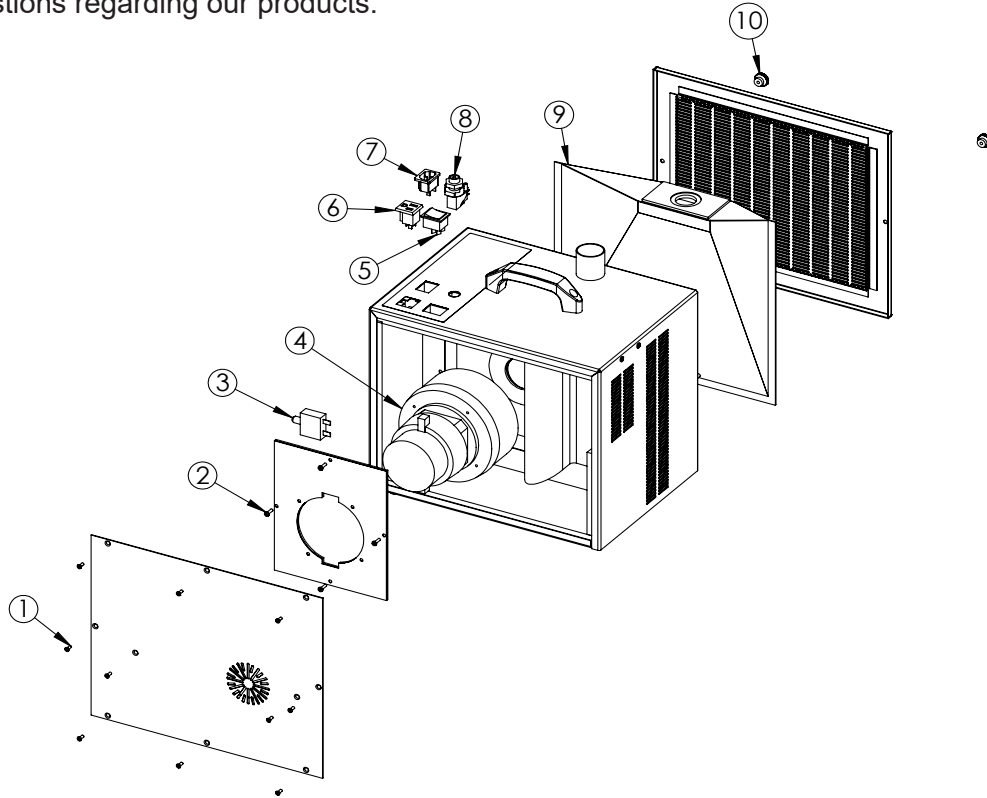


Fig. #	Description	Reorder Part Number
1	Screw, 6-32 x 3/8" FHSMS	1448A
2	Screw, 6-32 x 1/2" Pan MS	2080
3	Circuit Breaker, 10 Amp	2807
4	Motor Assembly	97019
5	Switch, ON/OFF/REMOTE	3283
6	Outlet Receptacle	1832
7	Power Connector	3010
8	Remote Air Switch	1442
Not Shown	Foot Pedal Bellows	1443
9	Replacement Bags 3-pack	VMC-A400-3
	Replacement Bags 5-pack	VMC-A400-5
10	Front Cover Thumbscrew	1449
Not Shown	Power Cord	1422