

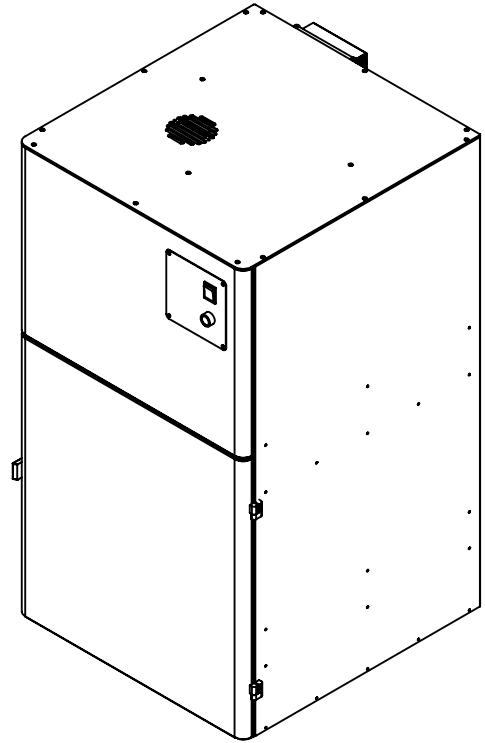
---

## PACKING LIST

---

- 1 - V-Six SE Dust Collector
- 1 - Power Cord
- 1 or 3 - Port Caps (Dependant on Inlet Plate Model)

**IMPORTANT SERVICE INFORMATION:**  
SAVE SHIPPING BOX AND FOAM FOR FUTURE SERVICE. SHIPPING WITHOUT PROPER FOAM MAY CAUSE DAMAGE TO UNIT



---

## ASSEMBLY INSTRUCTIONS

---

1. Remove the Unit and other parts from the box and check against the packing list.
2. Open the front door of the unit to access the filter compartment cover plate. Remove the four black thumb screws and remove the cover plate. Locate the wing nut at the bottom of the cartridge filter and check to make sure it has not come loose during shipping. Tighten if necessary.
3. The V-Six requires 14 amps, 50/60 Hz, @ 120 Volts. Plug the removable power cord into the socket on the back of the unit. Plug the other end into a standard wall socket. Switch on the main power switch on the back of the unit. Try the unit by turning the switch on the front to the "ON" position. Note: The speed adjustment slider may need to be above half way on initial startup.
4. The Air Blast filter cleaner requires compressed air to operate. Connect a 1/4 inch NPT male connector air fitting to the brass female connector located on the back. **DO NOT** supply more than 100 PSI to unit.
5. The ideal location for the unit is in a well ventilated area, as close as possible to the workstations to be served. The unit requires clearance on all sides and top for adequate air movement to prevent overheating. **DO NOT** fully enclose the unit in a cabinet without consulting the factory first.
6. The unit is designed for use of up to six stations simultaneously. Plumbing and layout is critical for maximum performance. Consult with a Vaniman engineer for your plumbing sizes and layout assistance.
7. The inlet plate located on the back of the unit incorporates a vacuum relief valve calibrated at the factory. The V-Six is a high suction dust collector and attempting to adjust this without first consulting the factory may cause damage to the unit.

---

## **MAINTENANCE**

---

1. Filter Cartridge - The filter cartridge should be visually inspected for wear on a routine basis. The frequency will depend on the amount of use but once every three months is advised. Before inspecting the filter cartridge, turn the unit off, then press the Clean button to activate the Air Blast. **DO NOT** press the button when the front door is open. To maintain the highest level of filtration and prevent motor damage, Vaniman recommends the filter be replaced every six months for average usage. When dust begins to pass through the unit or the filter is visibly frayed or worn, it should be replaced immediately.
1. Dust Bin - The Dust Bin will hold approximately three gallons of debris so the frequency of emptying the bin will vary. To empty, open the front door and slide the dust bin out of its housing located at the bottom of the unit. Each time it is emptied, be sure the wing nut on the bottom of the filter is secure.
2. Circuit Breaker - If the unit has an internal electrical problem or the power lines suffered an abnormal surge in power, the Circuit Breaker may trip. Correct the cause of the problem then reset the Circuit Breaker by pushing the breaker reset in on the back of the unit.
3. Thermal Protection - The high speed turbine drive system in the unit is protected against overload and overheating. In the case that the unit turns off during operation, disconnect the cord, wait 5-15 minutes for the unit to cool down, then re-connect the power. Overheating could be caused by inadequate ventilation. If the unit is in an enclosed space, increase air circulation or ventilation and retry.

---

## **RECOMMENDED USAGE**

---

1. Two to Six work stations. Dust collection of all dry materials.
2. The unit may be used alone or in conjunction with a Vaniman Accumulator pre-filter for every two stations. The Accumulator will trap 90 - 95% of the dust in the collection trap before it reaches the unit and will capture 99.9% of all metals. **Large Accumulator P/N VMC-A300, XL Accumulator P/N 10509**
3. The unit is NOT RECOMMENDED or warranted for use in moist or wet environments or to collect wet or moist material. Doing so will immediately void the warranty.

---

## **ACCESSORIES**

---

The following items are offered to enhance the usage of your quality Vaniman unit. These items can be order through your supplier using the following part numbers. Please feel free to contact Vaniman Mfg. Co. with questions regarding our products.

<b><i>Item Description</i></b>	<b><i>P/N</i></b>
Remote Switch	VMC-A450
Dual Remote Switch	VMC-A455
Foot Remote Switch	VMC-A460

**REPLACEMENT PARTS**

The following items are offered to enhance the usage of your quality Vaniman unit. These items can be order through your supplier using the following part numbers. Please feel free to contact Vaniman Mfg. Co. with questions regarding our products.

Fig. #	Description	Part No.
1	Circuit Breaker	2869
2	Power Connector	3010
3	Remote Plug	1427
4	Power Switch	3284
5	Cooling Air Filter	2511
6	Brushed Motor Assembly	97107
7	Muffler	3203
8	Bolt, 5/16-18 x 3.25"	3202
9	Standoff	2911
10	Motor Mount	3057
11	Switch, ON/OFF/REMOTE	1497
12	Air Blast Button	3229
13	Air Solenoid	Contact Vaniman
14	Filter	96017
15	Rubber Washer	1783
16	Washer	2868
17	Wing Nut	2847
18	Dust Pan	3236
19	Door Latch	3040
Not Shown	Power Cord	3006
Not Shown	Replacement Brush Kit	97091

