



# MICRO-ABRASIVE BLASTERS

## ENGLISH

### 1. CONDITIONS FOR USE

*This micro abrasive blaster may only be operated:*

- Indoors;
- Below 1981 m (6500 ft) above sea level altitude;
- Ambient air temperature between 40°-105°F (5-40°C);
- Maximum relative humidity of 80% at 31°C (88°F);
- Power supply current fluctuations does not exceed 10% of nominal value;
- Under level 2 contamination conditions;
- Supply cool, dry air only, at a maximum pressure of 10.3 Bar (150 PSI).

### 2. SAFETY



**WARNING:** Read all safety warnings, instructions, illustrations and specifications provided with this power tool. Failure to follow all instructions listed below may result in electric shock, fire and/or serious injury

#### Save all warnings and instructions for future reference

*The term "power tool" in the warnings refers to your mains-operated (corded) power tool or BATTERY-operated (cordless) power tool.*

#### 1. Work area safety:

- a) Keep work area clean and well lit. *Cluttered or dark areas invited accidents.*
- b) Do not operate power tools in explosive atmospheres, such as in the presence of flammable liquids, gases or dust. *Power tools create sparks which may ignite the dust or fumes.*
- c) Keep children and bystanders away while operating this power tool. *Distractions can cause you to lose control.*

#### 2. Electrical Safety:

- a) Power tool plugs must match the outlet. Never modify the plug in any way. Do not use any adapter plugs with earthed (grounded) power tools. *Unmodified plugs and matching outlets will reduce risk of electric shock.*
- b) Avoid body contact with earthed or grounded surfaces, such as pipes, radiators, ranges and refrigerators. *There is an increased risk of electric shock if your body is earthed or grounded.*
- c) Do not expose power tools to rain or wet conditions. *Water entering a power tool will increase the risk of electric shock.*
- d) Do not abuse the cord. Never use the cord for carrying, pulling or unplugging the power tool. Keep cord away from heat, oil, sharp edges or moving parts. *Damaged or entangled cords increase the risk of electric shock.*
- e) When operating a power tool outdoors, use an extension cord suitable for outdoor use. *Use of a cord suitable for outdoor use reduces the risk of electric shock.*
- f) If operating a power tool in a damp location is unavoidable, use a RESIDUAL CURRENT DEVICE (RCD) protected supply. *Use of an RCD reduces the risk of electric shock.*

#### 3. Personal Safety

- a) Stay alert, watch what you are doing and use common sense when operating a power tool. Do not use a power

## ENGLISH

tool while you are tired or under the influence of drugs, alcohol or medication. *A moment of inattention while operating power tools may result in serious personal injury.*

- b) Use personal protective equipment. Always wear eye protection. *Protective equipment such as dust mask, non-skid safety shoes, hard hat, or hearing protection used for appropriate conditions will reduce personal injuries.*
- c) Prevent unintentional starting. Ensure the switch is in the off-position before connecting to power source and/or BATTERY pack, picking up or carrying the tool. *Carrying power tools with your finger on the switch or energizing power tools that have the switch on invites accidents.*
- d) Remove any adjusting key or wrench before turning the power tool on. *A wrench or a key left attached to a rotating part of the power tool may result in personal injury.*
- e) Do not overreach. Keep proper footing and balance at all times. *This enables better control of the power tool in unexpected situations.*
- f) Dress properly. Do not wear loose clothing or jewelry. Keep your hair, clothing and gloves away from moving parts. *Loose clothes, jewelry or long hair can be caught in moving parts.*
- g) If devices are provided for the connection of dust extraction and collection facilities, ensure these are connected and properly used. *Use of dust collection can reduce dust-related hazards.*
- h) Do not let familiarity gained from frequent use of this tools allow you to become complacent and ignore tool safety principles. *A careless action can cause severe injury within a fraction of a second.*

#### 4. Power tool use and care

- a) Do not force the power tool. Use the correct power tool for your application. *The correct power tool will do the job better and safer at the rate for which it was designed.*
- b) Do not use the power tool if the switch does not turn it on and off. *Any power tool that cannot be controlled with the switch is dangerous and must be repaired.*
- c) Disconnect the plug from the power source and/or remove the BATTERY pack, if detachable, from the power tool before making any adjustments, changing accessories, or storing power tools. *Such preventive safety measures reduce the risk of starting the power tool accidentally.*
- d) Store idle power tools out of the reach of children and do not allow persons unfamiliar with the power tool or these instructions to operate the power tool. *Power tools are dangerous in the hands of untrained users.*
- e) Maintain power tools and accessories. Check for misalignment or binding of moving parts, breakage of parts and any other condition that may affect the power tool's operation. If damaged, have the power tool repaired before use. *Many accidents are caused by poorly maintained power tools.*
- f) Keep cutting tools sharp and clean. *Properly maintained cutting tools with sharp cutting edges are less likely to bind and are easier to control.*
- g) Use the power tool, accessories and tool bits etc. in accordance with these instructions, taking into account the working conditions and the work to be performed. *Use of the power tool for operations different from those intended could result in a hazardous situation.*
- h) Keep handles and grasping surfaces dry, clean and free from oil and grease. *Slippery handles and grasping surfaces do not allow for safe handling and control of the tool in unexpected situations.*

#### 5. Service

- a) Have your power tool serviced by a qualified repair person using only identical replacement parts. *This will ensure that the safety of the power tool is maintained.*

---

### 3. SPECIAL ATTENTION TO THIS PRODUCT

---

- Unplug equipment from the wall before changing out the LED light. Do not squeeze or bend the light tube. Always wear gloves or use a towel to protect your hands from glass splinters.

**ENGLISH**

- Always disconnect the unit from the compressed air and power sources before beginning any maintenance.
- Never operate the blasting units without suitable dust extraction and appropriate protective gear. The type of dust extraction should be based on the type dust generated. Ask the proper authorities.
- Never direct the compressed air towards eyes or unprotected areas of skin. Improper use can result in risk of eye or skin injuries.
- Never work with the glass door open.
- Maintain equipment and accessories. Check for breakage of parts and any other condition that may affect the equipment's operation.

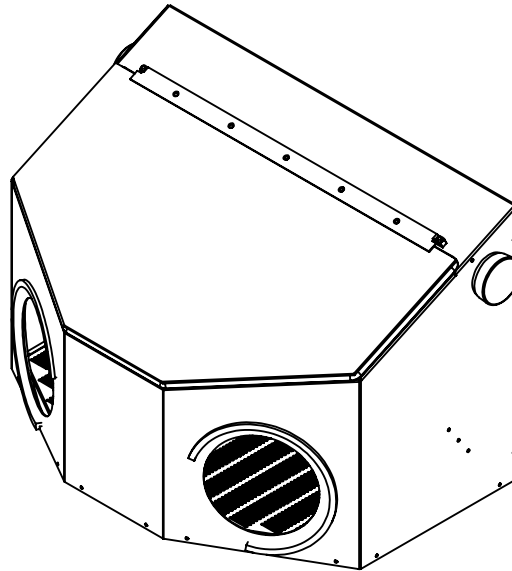
---

**4. LIABILITY EXCLUSION**

---

*Vaniman Manufacturing shall be absolved from all claims for damages and warranty if:*

- The product is used for any purpose other than it was designed for.
- The product is altered in any way other than those described in the operating instructions.
- The product is repaired by anybody other than an authorized facility or if any parts other than Vaniman OEM parts are used.
- The product continues to be employed, despite obvious safety faults.



---

## **PACKING LIST**

---

- 1 - Cut & Clean XL Cabinet
- 1 - Instructions
- 1 - DC Power Supply (if applicable)
- 2 - Air Supply Connections

---

## **INSTALLATION & OPERATION**

---

1. Remove the unit and all packaging material from the box. Check against the packing list.
2. For units with lights: Plug the DC Power Supply into the jack on the unit's light and plug the other end into a standard outlet.
3. Locate the fitting on the back of the unit to connect your air supply line. Units come supplied with a barbed fitting for a 1/4" (6mm) ID (inside diameter) hose and a quick disconnect fitting for a 1/4" (6mm) OD (outside diameter) air line. All Vaniman units are shipped with both fittings included to meet the customer's needs. Install your desired fitting. For more help on connecting your unit to an air supply visit:

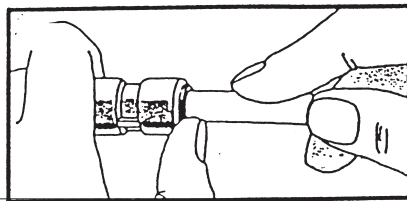
[www.vaniman.com/air-supply-connections-blasters/](http://www.vaniman.com/air-supply-connections-blasters/)

4. Connect blow off gun connection to push-fit style fitting on either right or left-hand connection location, using the plastic plug to keep dust from escaping through the unused fitting. See Illustration A for connection instructions.
5. Regulate air pressure on your air supply with an air regulator. The pressure should NOT be adjusted above 100 psi (7 BARS).

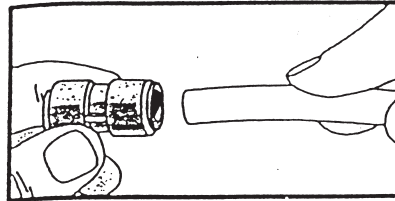
6. It is recommended that a dust collector is attached to the unit to remove excess media and improve visibility during blasting.

SandVac	120V	PN: 10211	220V	PN: 10212
StoneVac II	120V	PN: 10201	220V	PN: 10209

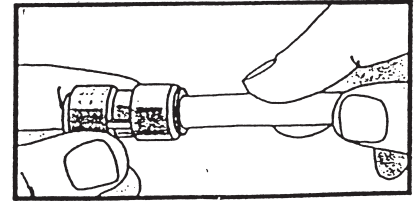
Illustration A



Push in collet and pull tubing to disconnect.



Cut tubing cleanly at 90° and push into collet.



Installation complete and secure.

## MAINTENANCE

Vaniman products are designed to be low maintenance. However, as the materials used in a dust cabinet are abrasive in nature, components do wear out. A few minor areas should be maintained regularly for a long product life.

### *Glass Window:*

Included with the unit is a free "Static-Cling" blasting shield for the inside of the window. These are inexpensive protection for the viewing clarity of the window. Replace when necessary. Installation instructions:

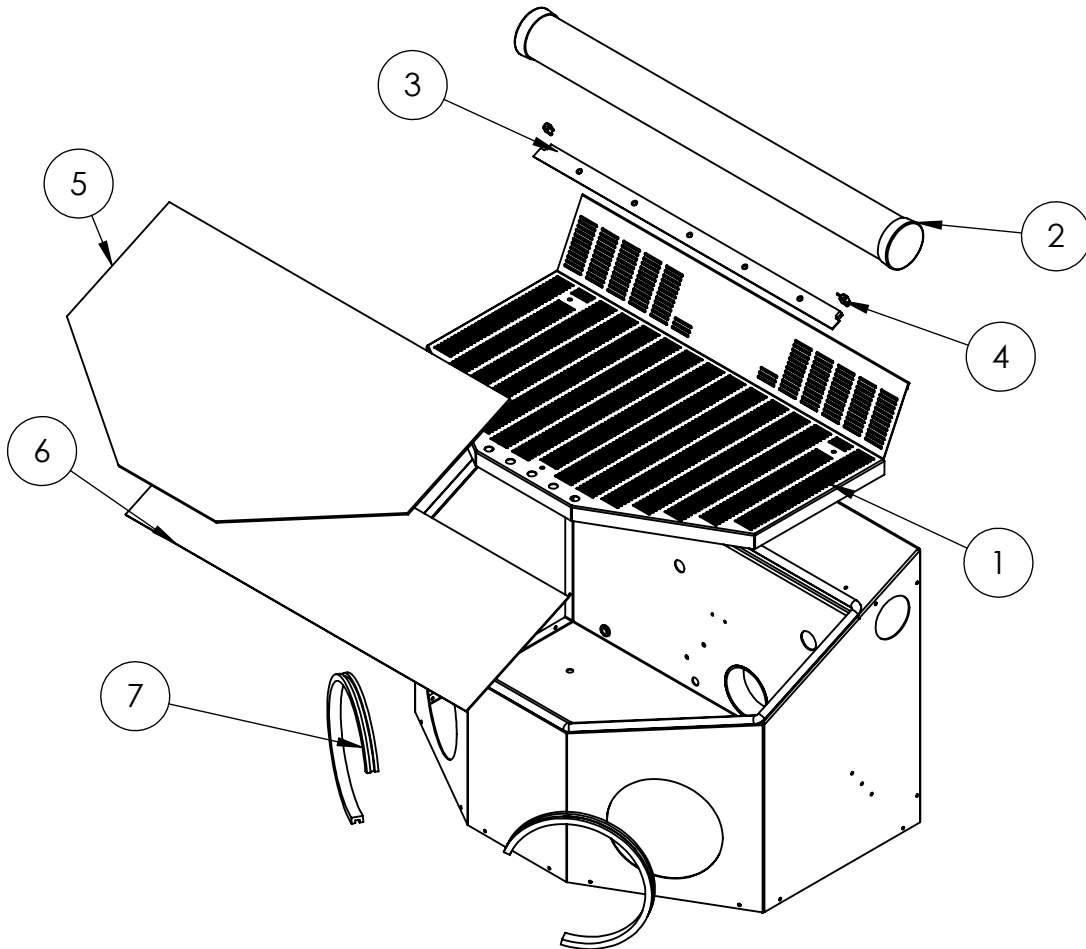
#### Method A

1. Make sure bottom side of blaster window is clean. If glass is significantly etched, replace with a new window prior to installation of the Static Shield Protector.
2. Remove backing from Static Shield Protector.
3. Place one edge on blaster window and progressively lie shield on glass taking care to minimize bubbles and wrinkles. The correct side of the shield is the side that the Vaniman logo is readable from the front of the blaster.
4. Use a credit card or similar object to sweep bubbles out of protector.
5. When surface is significantly etched, replace with new shield protector.

#### Method B -- Recommended

1. Same steps as above except apply water or blue glass cleaner to window prior to installation.
2. Use credit card to sweep excess moisture out of window -- repeat until all bubbles and excess moisture are removed. Any visible remaining moisture will dry in 24 hours and product can be used right away.

**REPLACEMENT PARTS & DIAGRAM**



Number	Description	Re-Order Number
1	Floor screen	2240
2	Light Assembly	97969
3	Window Bracket Assembly (with Glass)	2282
4	Pin Hinge Assembly, each	2290
5	Replacement Window Glass	2241
6	Protector Shield	97951
7	Cuff holder (each)	2260
Not Shown	Cuff (not shown) each	2033XL
Not Shown	Cabinet Air Fitting	96087
Not Shown	Blow Off Gun Assembly, XL	96105