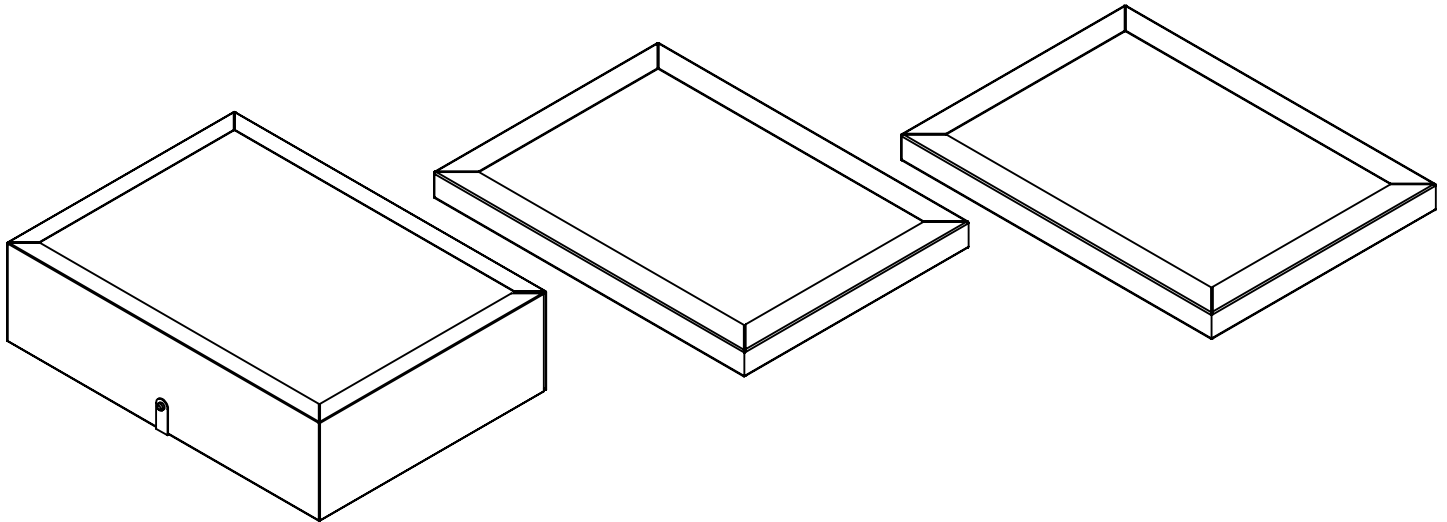


FILTER KIT VANGUARD MOBILE 2.0



PACKING LIST

- 1 - HEPA Filter with Gasket
- 2 - Pre-Filters with Gasket

ABOUT THE PRODUCT

This filter kit is designed to make your job more comfortable and safer by filtering 99.97% of airborne particles collected by the dust collector through the HEPA grade filter. The Pre-Filter is designed to protect the HEPA filter and ensure efficiency and longevity. Both of these filters are intended to be added internally to the Vanguard Mobile 2.0.

FILTER REPLACEMENT INSTRUCTIONS

ATTENTION: To prevent additional spread of viruses or bacterias, it's advised to contact the CDC for proper handling protocol of specific pathogens.

1. Turn off the unit and remove the power cord.
2. Wearing full PPE (per the CDCs recommendations), set aside a sealable bag for disposing the filter(s).
3. Remove the filter access panel from the unit by unscrewing the four black thumbnuts on the front of the unit and set aside for later use. The Pre-Filter and HEPA filter should now be exposed.
4. Slide the pre-filter out first, followed by the HEPA filter. Use the pull tab on the HEPA filter frame for easier removal. Once removed, place filters into a sealable bag for proper disposal.



FILTER KIT

VANGUARD MOBILE 2.0

5. Remove all packaging from the replacement HEPA and Pre-Filter. Carefully align the HEPA filter frame with the outer walls of the unit, sit the filter onto the guide ledge, and slide until the filter stops. Once the HEPA filter is installed, carefully place the replacement pre-filter on top of the HEPA filter with the wire side down.
6. Remount the filter access panel back on the unit and secure with the four thumb screws.
7. Dispose of the sealed bag containing the used filter(s) per the CDCs recommendations.
8. Vaniman recommends replacing the Pre-Filter every three months and HEPA filter every six.

INDIVIDUAL PRODUCTS

P/N 96098 - Vanguard Mobile 2.0 Pre-Filter with gasket

P/N 96097 - Vanguard Mobile 2.0 HEPA filter with gasket