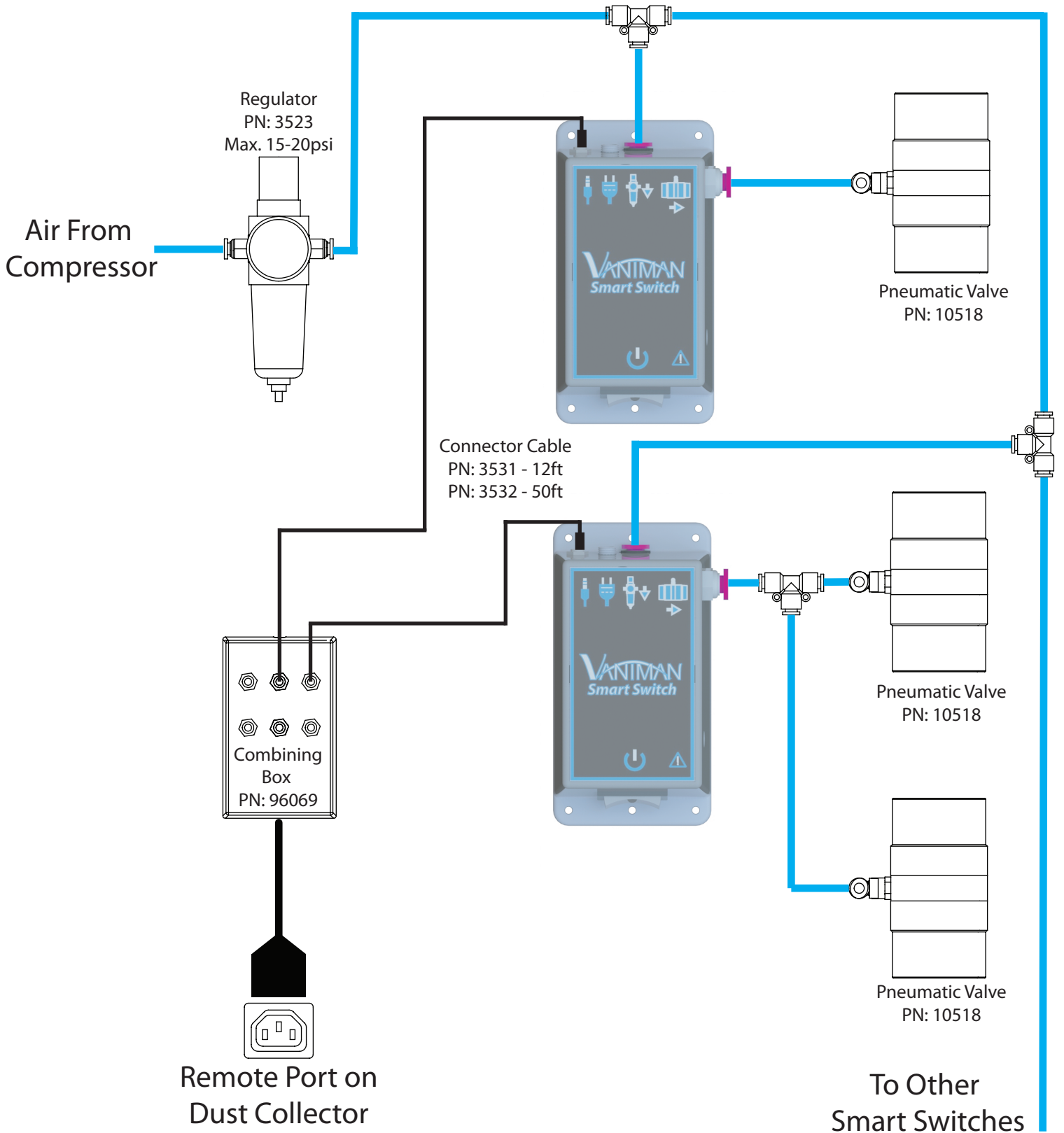
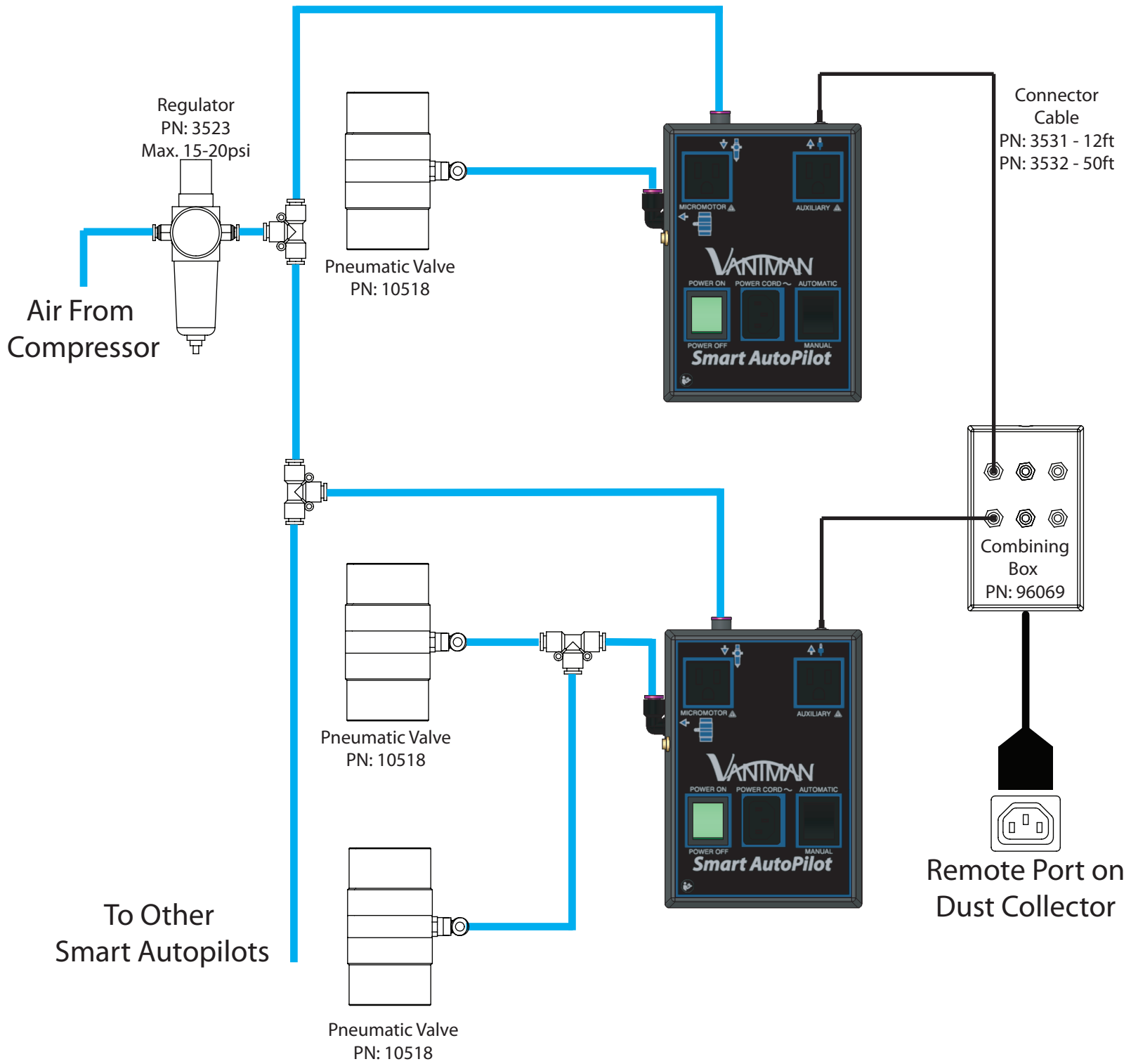


# Connection Guide for Smart Switches PN: 96068



Note: Combining Box and Smart Switches each have power cords that need to be plugged into standard outlets.

# Connection Guide for Smart Autopilots PN: 96073



Note: Combining Box and Smart Autopilots each have power cords that need to be plugged into standard outlets.