

## Warnings and Precautions



-Alternating Current

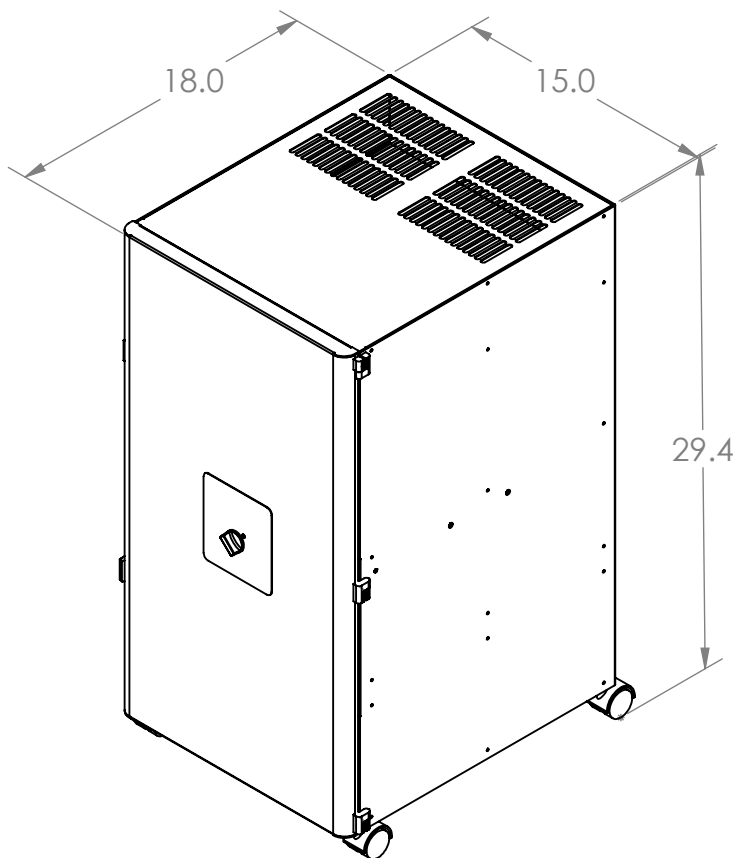


-Caution, Risk of Electrical Shock

This air purifier is designed to run on 120 volt alternating current at 60 Hz., with a maximum current of 10 amps at temperatures ranging from -10°C to +40°C (14°F to 104°F). The plug on the unit labeled "Power Cord ~" is for the supply line cord provided. The supply outlet in the wall must have a wired ground and if the door of the unit is opened for any reason, do not bypass the protective earthing.

When choosing the location of your Pure Breeze, be sure that the location allows the Power Cord to be accessible at all times. Additionally, since the Pure Breeze draws air into the unit from the bottom and exhausts clean air from the top, ensure that the caster wheels are always securely installed and there is at least 6 inches of clearance above the exhaust openings on the top of the unit. A lack of airflow through the unit will decrease the efficiency of the air purification process.

Failure to comply with the precautions listed here or any others for this equipment may cause electrical shock or equipment failure.



### **Pure Breeze PN: 10360**

**Dimensions:** 18"L x 15"W x 29.4"H

**Weight:** 67 lbs.

**Voltage:** 120V

**Amps:** 10A

**Frequency:** 60Hz.

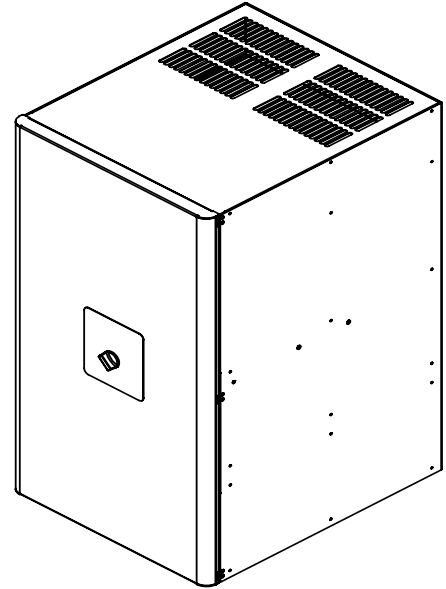
**Power:** 200W

## PURE BREEZE

### PACKING LIST

- 1 - Pure Breeze
- 1 - Power Cord
- 1 - Spanner Wrench
- 4 - Caster Wheels

**IMPORTANT SERVICE INFORMATION:**  
SAVE SHIPPING BOX AND FOAM FOR FUTURE SERVICE. SHIPPING WITHOUT PROPER FOAM MAY CAUSE DAMAGE TO UNIT



**CAUTION:** THIS PRODUCT IS FOR GENERAL VENTILATING USE ONLY. DO NOT USE TO EXHAUST HAZARDOUS OR EXPLOSIVE MATERIALS AND VAPORS.

### ASSEMBLY INSTRUCTIONS

1. Remove the **Pure Breeze** from the box by standing the box upright, opening the box flaps, and then sliding the unit out. Remove the plastic bag covering the unit.

## IMPORTANT!

**BEFORE YOU TRY TO OPERATE THE PURE BREEZE YOU MUST COMPLETE THE FOLLOWING:**

- A. Remove the four caster wheels and Power Cord from the envelope packed with the unit. Lay the unit on its back on several pieces of the foam packaging to protect it. Screw the four caster wheels into the four threaded holes in the bottom of the unit. Moderately tighten them with a wrench.
  - B. Tip the unit upright onto the wheels, undo the latches on the left side of the door and open the door. Remove the charcoal odor filter, which is wrapped in plastic, by pulling straight out (this is the third filter counting up from the bottom). The plastic covering must be removed for the unit to work. Replace the charcoal filter then close and latch the door.
2. Plug the removable Power Cord into the socket labeled *Power Cord* on the back of the unit. Plug the opposite end into a standard grounded wall socket. Flip the *On/Off* switch that is located on the back of the unit into the *On* position. Test the unit by turning the rotary selector switch located on the front door to one of the three speed options: **LOW**, **MED**, and **HIGH**. If the unit does not start, reverse the *On/Off* switch on the rear of the unit to start.

## PURE BREEZE

---

### APPLICATION INSTRUCTIONS

---

1. A central location is ideal for the **Pure Breeze**. Contaminated air is drawn into the bottom of the unit and purified air is released from the top of the unit. If you can position the back of the unit next to a wall, this will set up a circular air flow pattern in the room to re-circulate and clean all the air in the room over time. New units may have a slight odor at first. This odor is from the sound insulation foam inside the unit and will diminish over time.
2. The **Pure Breeze** will service up to 1000 square feet of floor space based on an eight foot ceiling height. The selector switch's three speeds correspond to the following room sizes: use **LOW** for rooms up to 250 square feet, **MED** for rooms up to 500 square feet, and **HIGH** for rooms up to 1000 square feet. Vaniman recommends multiple Pure Breezes for rooms over 1000 square feet.

---

### MAINTENANCE

---

**Before performing any maintenance tasks on this unit, flip the On/Off switch into the Off position and remove the Power Supply cord from the unit.**

1. **Filter Maintenance** is most important to maintain a clean working environment. As dust, odors, and microbes are collected from the air in the room, the filters start to fill. When filters are full, they restrict air flow diminishing the efficiency of the **Pure Breeze**. Therefore filters must be replaced regularly. To replace any filter, unlatch the door and complete the following steps for the respective filters. Remember to close and relatch the door once filter maintenance is complete and before turning on your Pure Breeze.
  - a. The **Pre-filter** (first filter) is located at the bottom of the unit. This filter captures the majority of larger sized contaminants in the room and will need to be changed more often than the other filters in the unit. Replace the pre-filter when the air flow drops significantly, upon inspection the filter appears significantly dirty, or every 3 to 6 months, whichever comes first.

#### **Replacing the Pre-filter:**

You will notice a group of three filters; the Pre-filter is the one on the bottom. In order to change the Pre-filter you must remove the two above it. Start removing filters from the top and work down through the group of filters. When installing the new Pre-filter make sure the metal reinforcement on the back is facing up. Inspect the other filters and replace them in the opposite order removed.  
**Order P/N 97021.**

- b. The **Secondary Filter** is the second filter from the bottom of the unit. This filter captures smaller particles that may slip through the Pre-filter. As a rule, this filter should be replaced once every three replacements of the Pre-filter.

#### **Replacing the Secondary Filter:**

As in replacing the Pre-filter, you will need to remove the filter above first, then remove the Secondary Filter. When installing the new Secondary Filter make sure the metal reinforcement on the back is facing up.  
**Order P/N 97022.**

For your convenience Vaniman offers a filter package which includes three Pre-filters and one Secondary Filter. This filter package will enable you to replace your Pre-filters while reminding you of the three to one filter maintenance schedule.

**Order P/N 97025.**

---

## **MAINTENANCE (CONT)**

---

- c. The **Charcoal Odor Filter** (third filter) can be determined by its metal frame. The Charcoal Odor filter is located on top of the group of filters inside the unit. This filter absorbs odors in the air; it is similar to a chemical sponge used to collect chemicals that emit odors. The Charcoal Odor Filter must be changed when you notice the smell of odors again.

**Replacing the Charcoal Odor Filter:**

Pull out the old Charcoal Odor Filter from the unit. Remove the plastic wrapper from the new filter, then slide into place. Either side of the filter may face up. Vaniman recommends always having a spare Odor Filter. Keep new unused filters wrapped in their plastic wrappers to ensure freshness until use.

**Order P/N 97023.**

- d. The **HEPA Filter** (fourth filter) is the large aluminum framed filter above the motor compartment. It captures 99.97% of particles and organisms down to 0.3 micron. This filter should be changed annually. You will be able to determine when to replace the filter using the same method as described in the Pre-filter instructions.

**Replacing the HEPA Filter:** Pull the HEPA Filter out of the unit, and discard the used filter appropriately. Remove any packaging material from the new filter, and orientate it so that the pull tab and label are facing you. Ensure that the words on the Vaniman label placed on the HEPA Filter frame is right-side up and readable, then align the frame of the filter with the outer walls of the unit and slide the filter into place.

**Order P/N 97024.**

2. **Circuit Breaker** - If the unit has an internal electrical problem or has been overloaded by a power surge, the Circuit Breaker may need to be reset. It is located on the back of the unit between the *On/Off* switch and *Power Cord* socket. To reset the circuit breaker, flip the *On/Off* switch into the *Off* position, unplug the power cord from the unit, correct the problem and then push the breaker reset button until it clicks.
3. **Thermal Protection** – The motor in this unit is protected against overheating. Overheating will only be caused by inadequate airflow through the unit, so make sure to check the filters and change if necessary. If the unit should turn off during operation due to overheating, it may need to cool down for an hour or two before the thermal protection will reset. Check the circuit breaker first as described in #2 above.

## **READ AND SAVE THESE INSTRUCTIONS**

---

### **IMPORTANT SAFETY INSTRUCTIONS**

---

1. **WARNING** - TO REDUCE THE RISK OF FIRE, ELECTRIC SHOCK, OR INJURY TO PERSONS, OBSERVE THE FOLLOWING:
- a. Use this unit in the manner intended by Vaniman. If you have any questions, contact Vaniman directly.
  - b. Before servicing or cleaning the unit, switch power *Off* at the service panel and lock the service disconnecting means to prevent power from being switched on accidentally. When the service disconnecting means cannot be locked, securely fasten a prominent warning device, such as a tag, to service the panel.
  - c. Before servicing or replacement of components, unplug the power cord to ensure that the unit is disconnected from the power supply. Once servicing or component replacement is complete, confirm that the safety devices are reinstalled or remounted as previously installed by Vaniman.
  - d. Do not use this unit's fan with any solid-state speed control devices.
  - e. Do not operate any fan with a damaged cord or plug. Discard fan or return to Vaniman for examination and/or repair.
  - f. Do not run cord under carpeting. Do not cover cord with throw rugs, runners, or similar coverings. Do not route cord under furniture or appliances. Arrange cord away from traffic area and where it will not be tripped over.